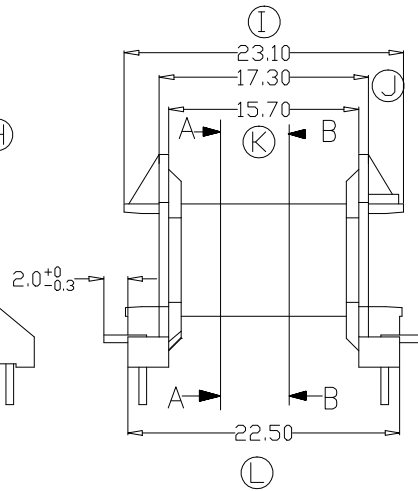
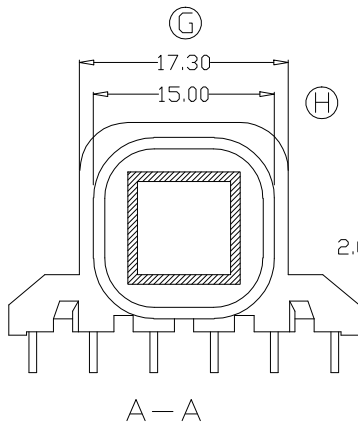
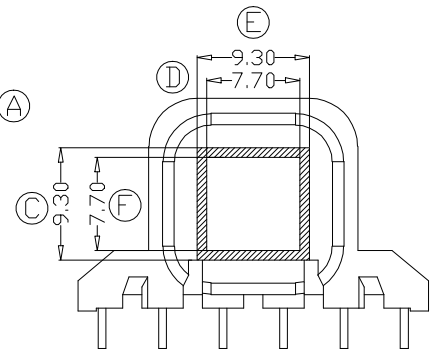
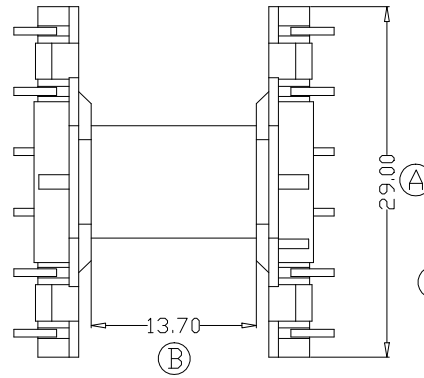
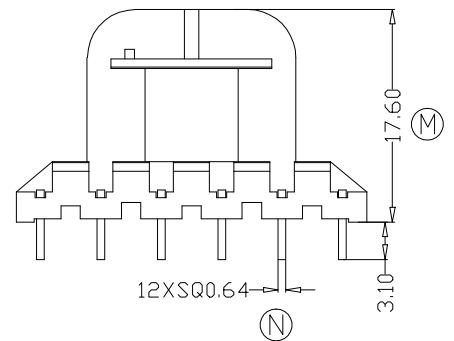


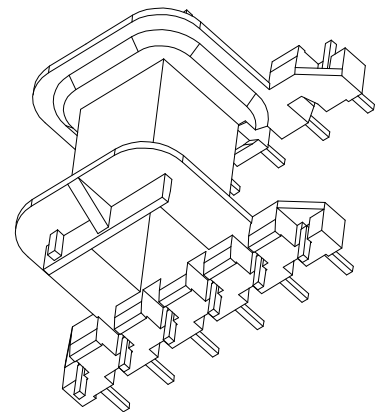
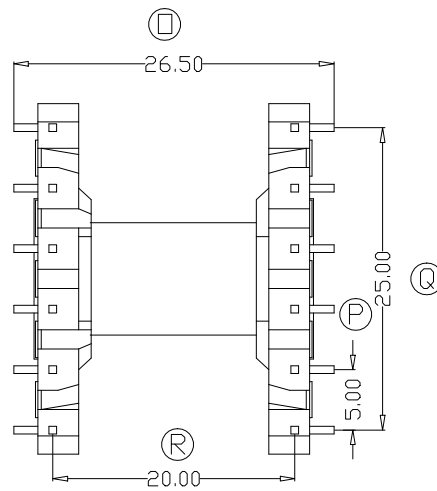
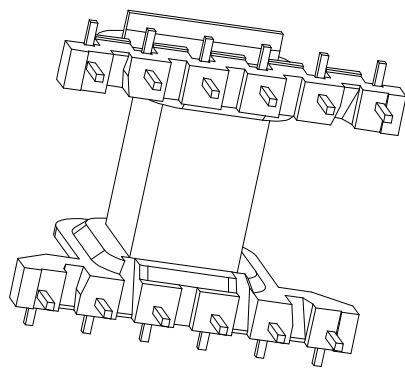
# ZX-25AH



B-B



12XSQ0.64



REV.	REVISIONS REC.		DATE	REV.	REVISIONS REC.		DATE
1				4			
2				5			
3				6			
DRAWN & DRAFTED BY	LIU WEI QIANG	TOLERANCES		ANGLE:	TITLE: EF-25(6+6P)		
CHECKED & APPROVED BY	MABUJIAN	0<L≤4 ±0.1	pin pitch ±0.2	UNIT:	BOBBIN MATERIAL:	FR530	UL REC. UL 94V-0
		4<L≤16 ±0.2		SCALE:	PIN MATERIAL:	CP WIRE	PIN TENSION LOAD: 1.2KG MIN
		16<L≤63 ±0.3			DATE:	2012.10.27	DRAWING NO. ZX-25AH
<b>智信电子塑胶有限公司</b> ZHI XIN ELECTRONICS PLASTIC CO., LTD. TEL:0769-86389901-2 FAX:0769-86389903						REV. A01	