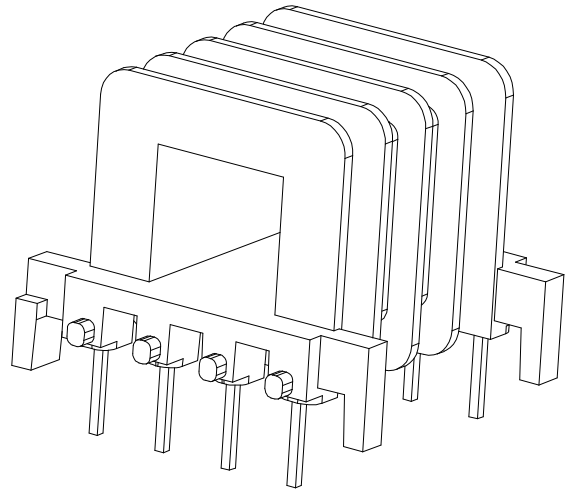
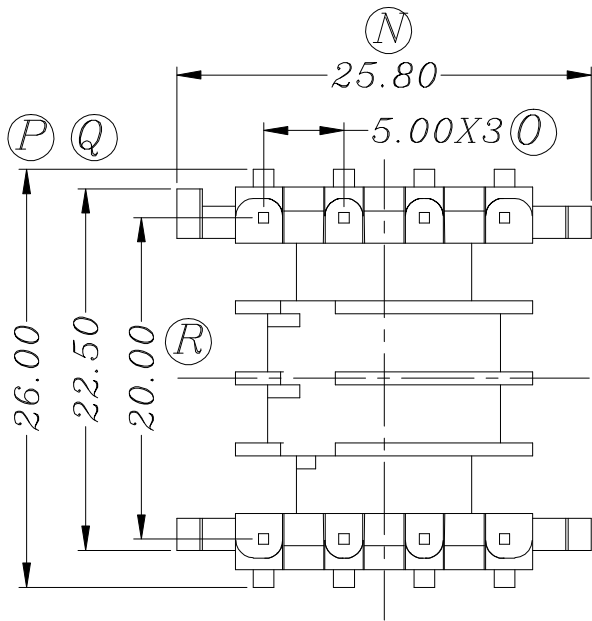
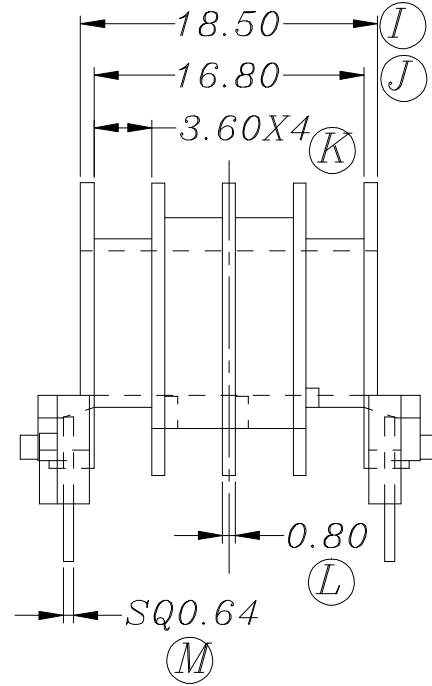
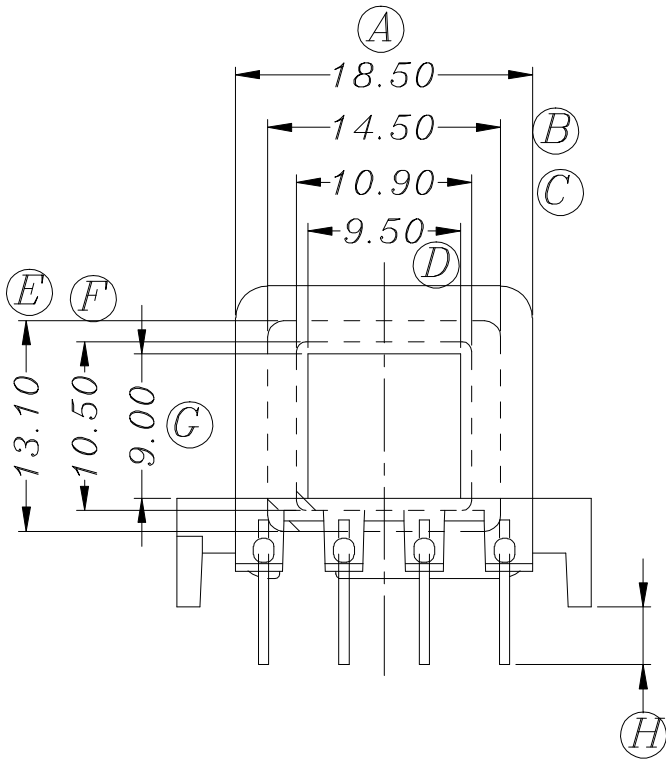


# ZX-25AN



REV.	REVISIONS REC.		DATE	REV.	REVISIONS REC.		DATE
1				4			
2				5			
3				6			
DRAWN & DRAFTED BY		LIU WEI QIANG	TOLERANCES		ANGLE:		TITLE:
CHECKED & APPROVED BY		MA BU JIAN	0<L≤4 ±0.1	pin pitch ±0.2	±1°		EF-25 (4+4P) 4S
			4<L≤16 ±0.2		UNIT:	BOBBIN MATERIAL:	
			16<L≤63 ±0.3	MM	PLASTIC	UL 94V-0	
				SCALE:	PIN MATERIAL:	PIN TENSION LOAD:	
					CP WIRE	1.2kg MIN.	
					DATE:	DRAWING NO.	REV.
					2005.09.14	ZX-25AN	A01



**智信电子塑胶有限公司**  
**ZHI XIN ELECTRONICS PLASTIC CO., LTD.**  
 TEL:0769-86389901-2 FAX:0769-86389903

