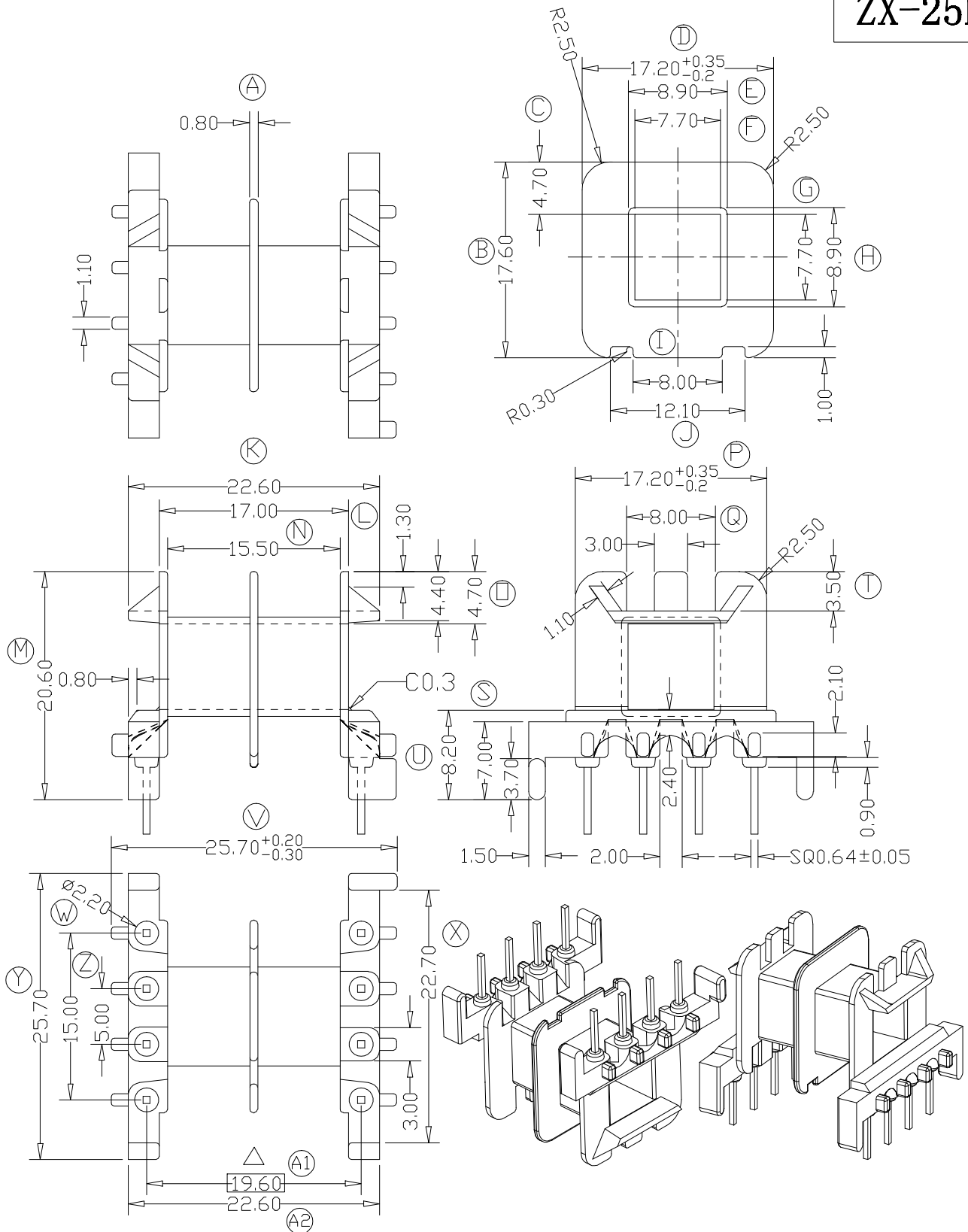


# ZX-25L1



REV.	REVISIONS REC.	DATE	REV.	REVISIONS REC.	DATE
1	△ 的尺寸由之前的19.3变更为19.6		4		
2			5		
3			6		
DRAWN & DRAFTED BY LIU WEI QIANG		TOLERANCES		ANGLE: ±1°	
CHECKED & APPROVED BY MA BU JIAN		0<L≤4 ±0.1	pin pitch	TITLE: EF-25(4+4P)2S	
		4<L≤16 ±0.2	±0.2	BOBBIN MATERIAL: PLASTIC	
		16<L≤63 ±0.3		UL REC. UL 94V-0	
智信电子塑胶有限公司		SCALE: MM		PIN MATERIAL: CP WIRE	
ZHI XIN ELECTRONICS PLASTIC CO., LTD.				PIN TENSION LOAD: 1.0KG MIN	
TEL:0769-86389901-2		FAX:0769-86389903		DATE: 2013.01.08	
				DRAWING NO. ZX-25L1	
				REV. A02	