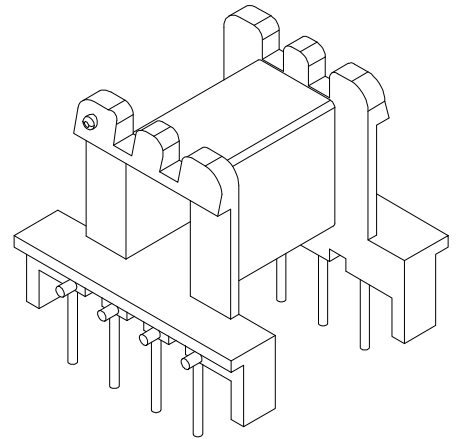
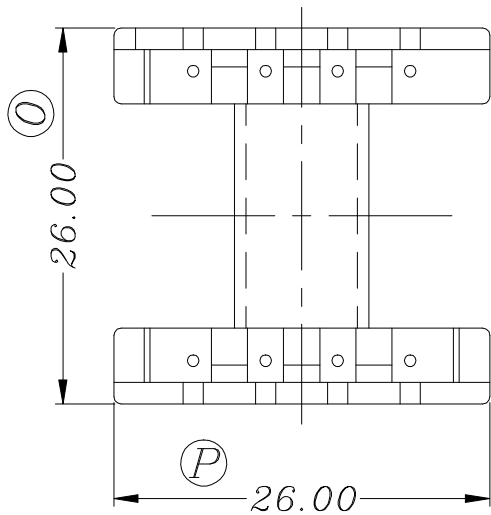
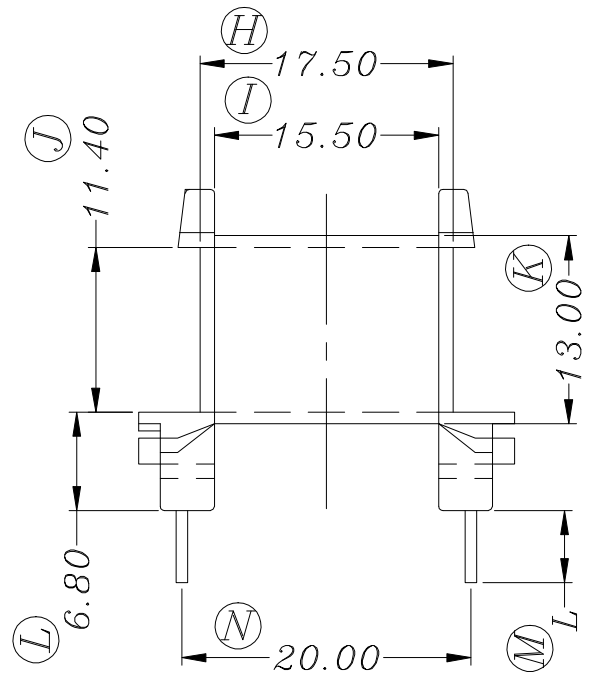
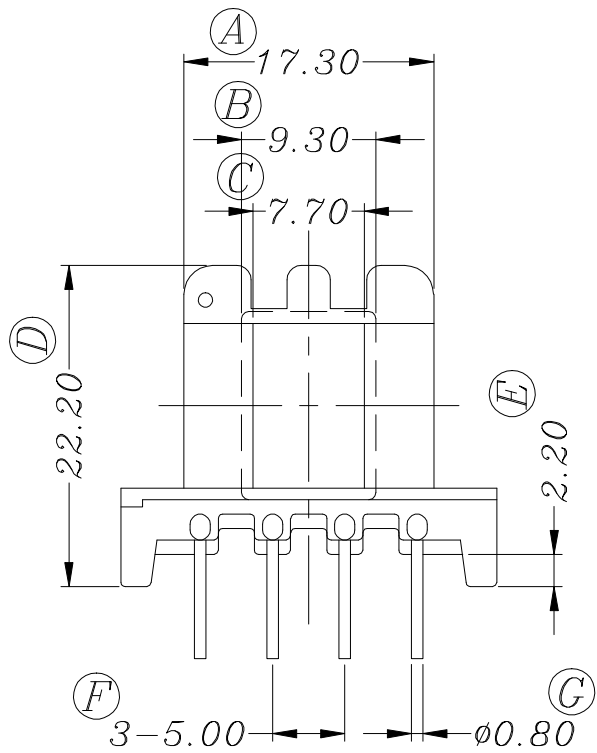


ZX-25Z1



REV.	REVISIONS REC.		DATE	REV.	REVISIONS REC.		DATE
1				4			
2				5			
3				6			
DRAWN & DRAFTED BY	LIU WEI QIANG	TOLERANCES		ANGLE:	TITLE: <b>EF-25 (4+4P)</b>		
CHECKED & APPROVED BY	MA BU JIAN	0<L≤4 ±0.1	pin pitch	UNIT:	BOBBIN MATERIAL:	UL REC.	
		4<L≤16 ±0.2	±0.2	MM	PHENOLIC	UL 94V-0	
		16<L≤63 ±0.3		SCALE:	PIN MATERIAL:	PIN TENSION LOAD:	
					CP WIRE	1.5kg MIN.	
<b>智信电子塑胶有限公司</b> ZHI XIN ELECTRONICS PLASTIC CO., LTD. TEL:0769-86389901-2 FAX:0769-86389903				DATE: 2006.10.14	DRAWING NO. ZX-25Z1	REV. A01	