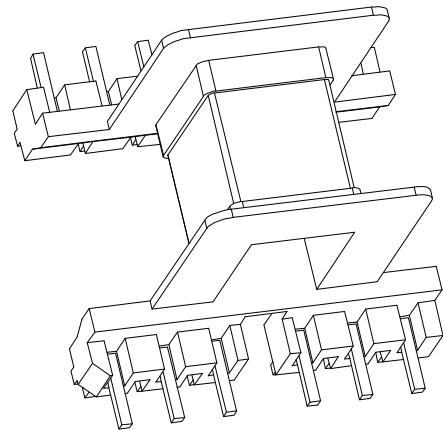
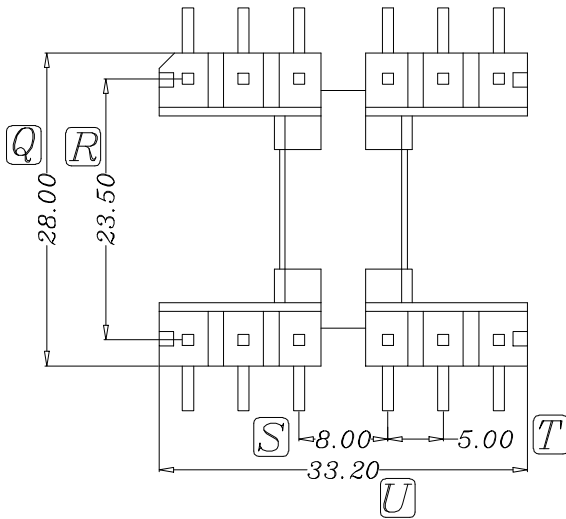
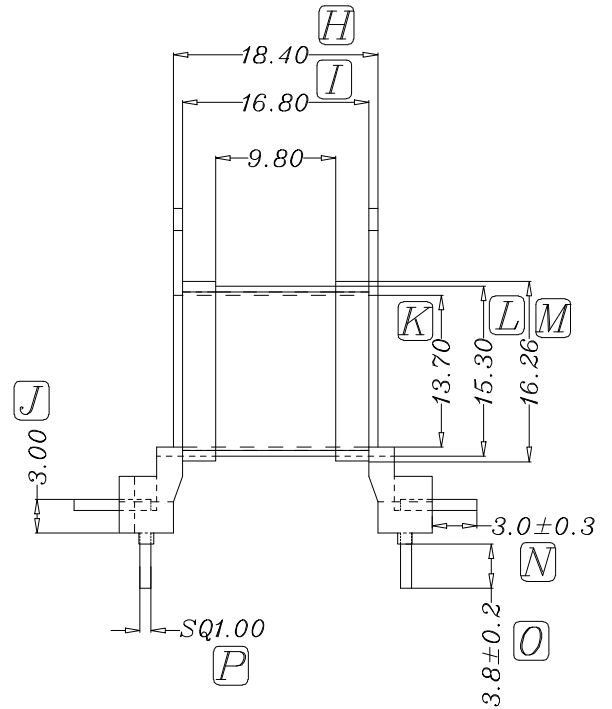
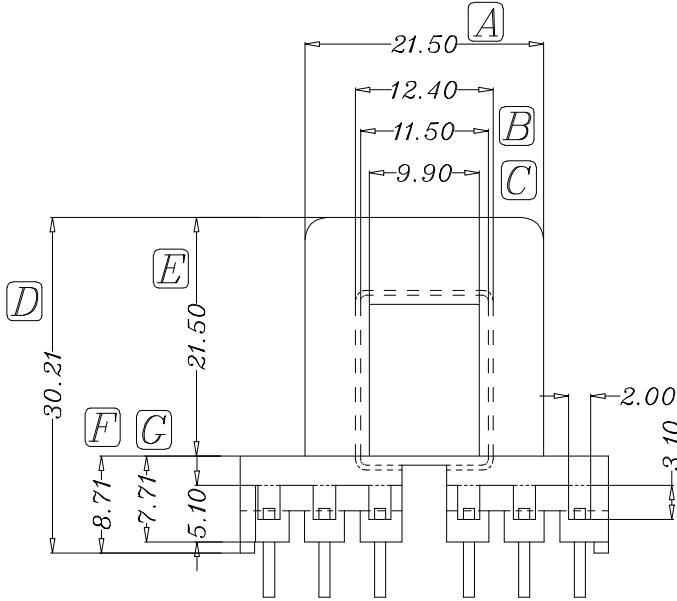

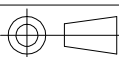


ZX-32G



REV.	REVISIONS REC.	DATE	REV.	REVISIONS REC.	DATE
1			4		
2			5		
3			6		
DRAWN & DRAFTED BY LIU WEI QIANG		TOLERANCES		TITLE: EF-32 (6+6P)	
CHECKED & APPROVED BY MA BU JIAN		0<L<4 ±0.1	pin pitch	ANGLE: ±1°	BOBBIN MATERIAL: FR530
		4<L<16 ±0.2		UNIT: MM	UL REC. UL 94V-0
		16<L<63 ±0.3	±0.2	SCALE:	PIN MATERIAL: CP WIRE
 智信电子塑胶有限公司 ZHI XIN ELECTRONICS PLASTIC CO., LTD. TEL:0769-86389901-2 FAX:0769-86389903		 SCALE:		DATE: 2016. 11. 23	DRAWING NO. ZX-32G
				REV. A01	