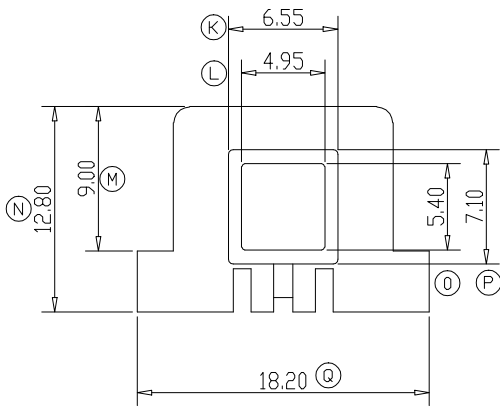
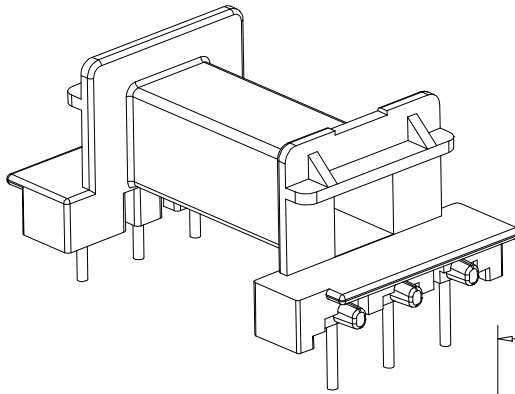
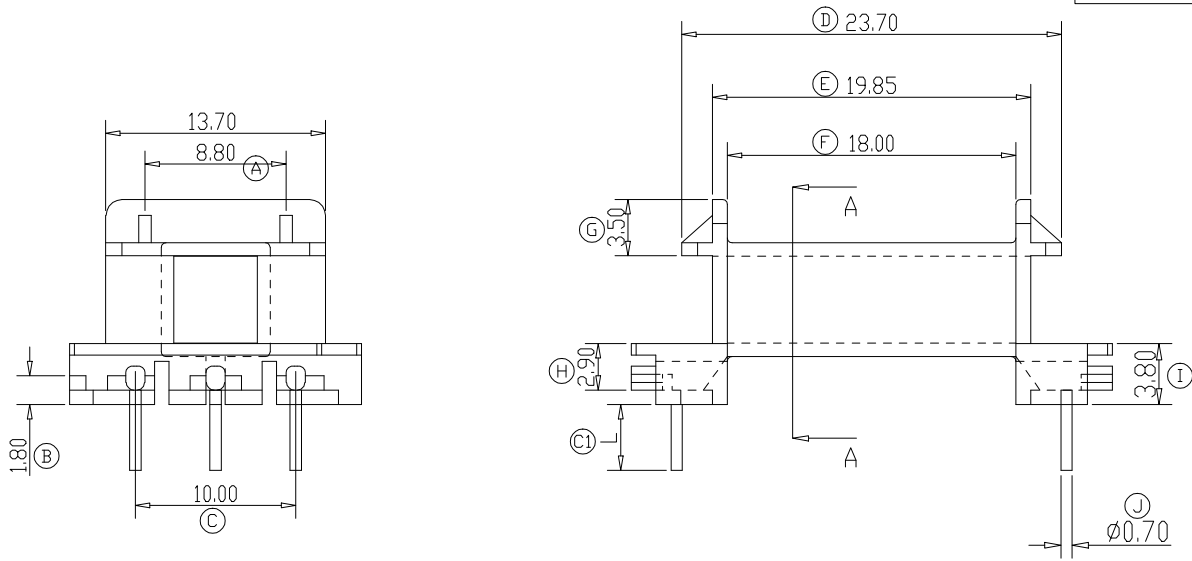
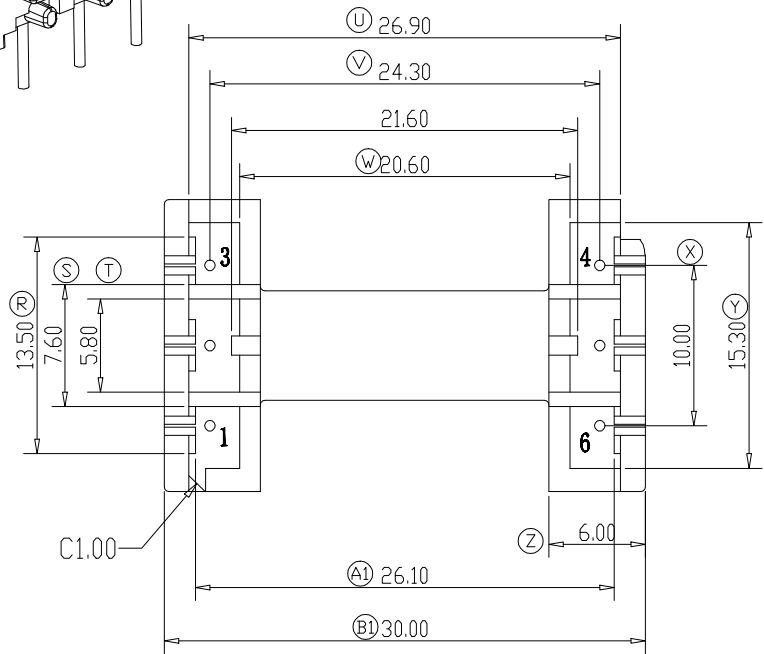


# ZX-19J1



**SECTION A-A**



REV.	REVISIONS	REC.	DATE	REV.	REVISIONS	REC.	DATE
1	(K) 6.80 变更为 6.55			4			
2	(L) 5.2 变更为 4.95			5			
3				6			
DRAWN & DRAFTED BY		LIU WEI QIANG		TITLE:		EEL-19(3+3P)	
CHECKED & APPROVED BY		MA BU JIAN		UNIT:		MM	
		TOLERANCES		ANGLE:		$\pm 1^\circ$	
		0<L≤4 ±0.1		BOBBIN MATERIAL:		T375HF 黑色	
		4<L≤16 ±0.2		PIN MATERIAL:		CP WIRE	
		16<L≤63 ±0.3		SCALE:			
		pin pitch ±0.2		DATE:		2012.10.31	
				DRAWING NO.:		ZX-19J1	
				REV.:		A01	



**智信电子塑胶有限公司**

ZHI XIN ELECTRONICS PLASTIC CO., LTD.  
TEL:0769-86389901-2 FAX:0769-86389903

