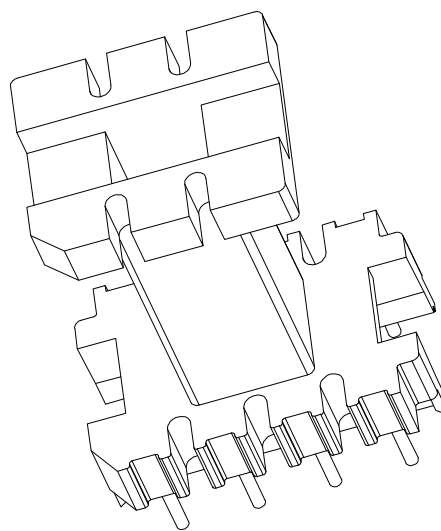
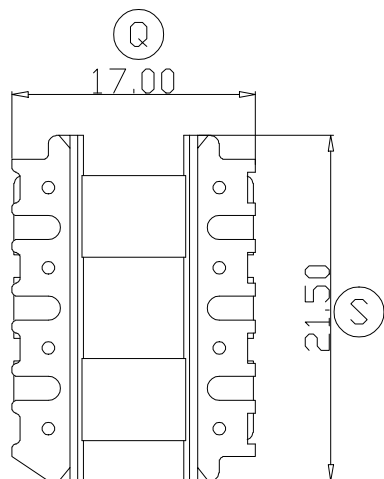
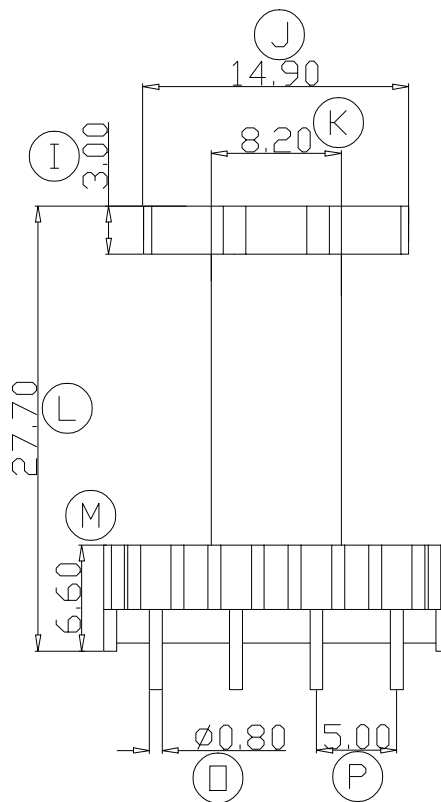
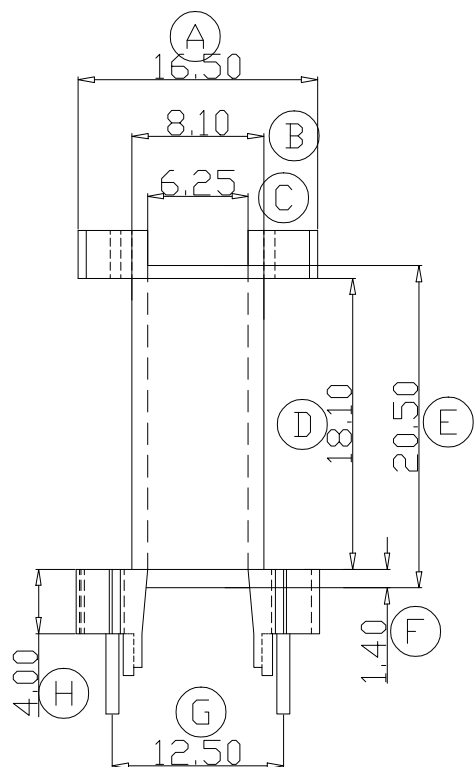


ZX-22J



REV.	REVISIONS	REC.	DATE	REV.	REVISIONS	REC.	DATE
1				4			
2				5			
3				6			

DRAWN & DRAFTED BY LIU WEI QIANG	TOLERANCES		ANGLE: $\pm 1^\circ$	TITLE: EEL-22(4+4P)			
	CHECKED & APPROVED BY MA BU JIAN	0<L≤4 ±0.1 4<L≤16 ±0.2 16<L≤63 ±0.3		pin pitch ±0.2	UNIT: MM	BOBBIN MATERIAL: PHENOLIC	UL REC. UL 94V-0
SCALE:			PIN MATERIAL: CP WIRE	PIN TENSION LOAD: 1.2kg MIN.			
DATE: 2009.04.05			DRAWING NO. ZX-22J		REV. A01		