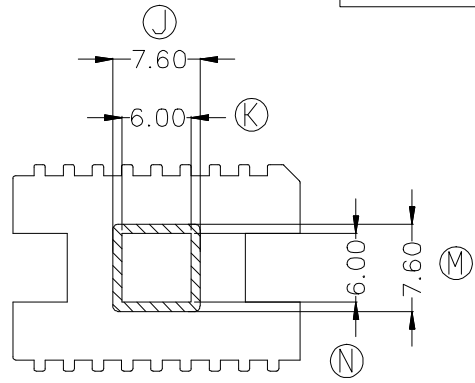
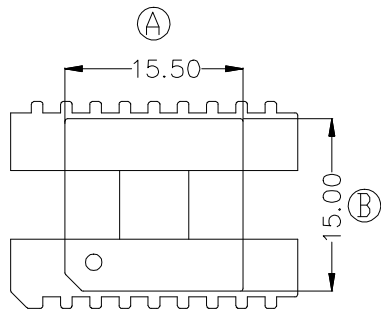
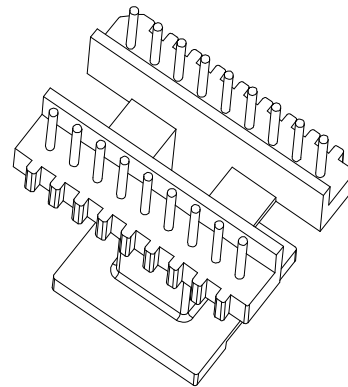
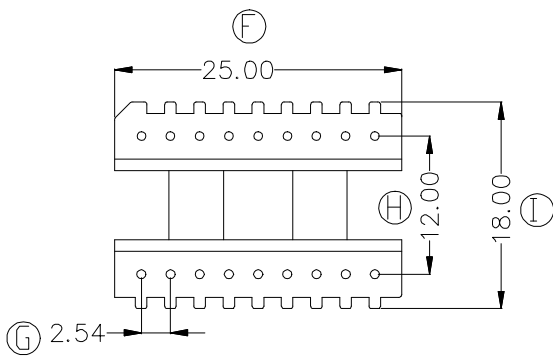
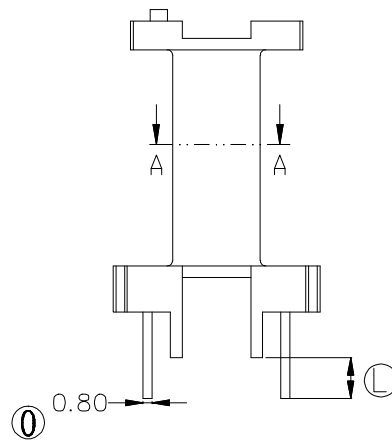
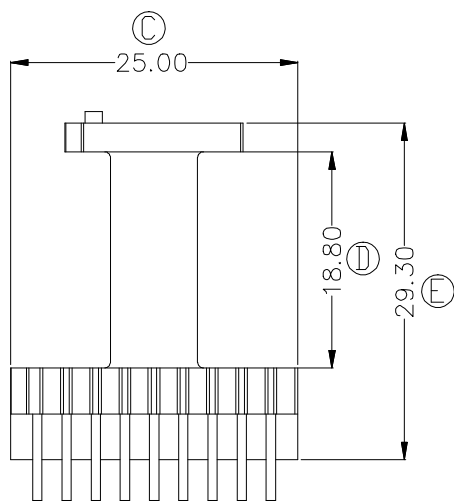


ZX-22R



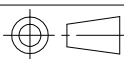
SECTION A-A



REV.	REVISIONS REC.		DATE	REV.	REVISIONS REC.		DATE
1				4			
2				5			
3				6			
DRAWN & DRAFTED BY		LIU WEI QIANG	TOLERANCES		ANGLE:	TITLE:	
CHECKED & APPROVED BY		ZHANG YONG	0 < L ≤ 4 ±0.1	pin pitch	±1°	EEL-22(9+9P)	
			4 < L ≤ 16 ±0.2		UNIT:	BOBBIN MATERIAL:	UL REC.
			16 < L ≤ 63 ±0.3		MM	PHENOLIC	UL 94V-0
					SCALE:	PIN MATERIAL:	PIN TENSION LOAD:
						CP WIRE	1.2KG MIN
						DATE:	DRAWING NO.
						2018.12.08	ZX-22R
							REV. A01



智信电子塑胶有限公司
 ZHI XIN ELECTRONICS PLASTIC CO., LTD.
 TEL: 0769-86389901-2 FAX: 0769-86389903



DATE: 2018.12.08

DRAWING NO. ZX-22R

REV. A01