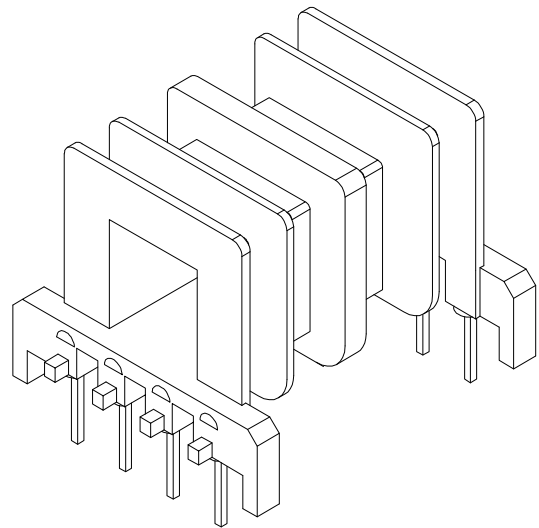
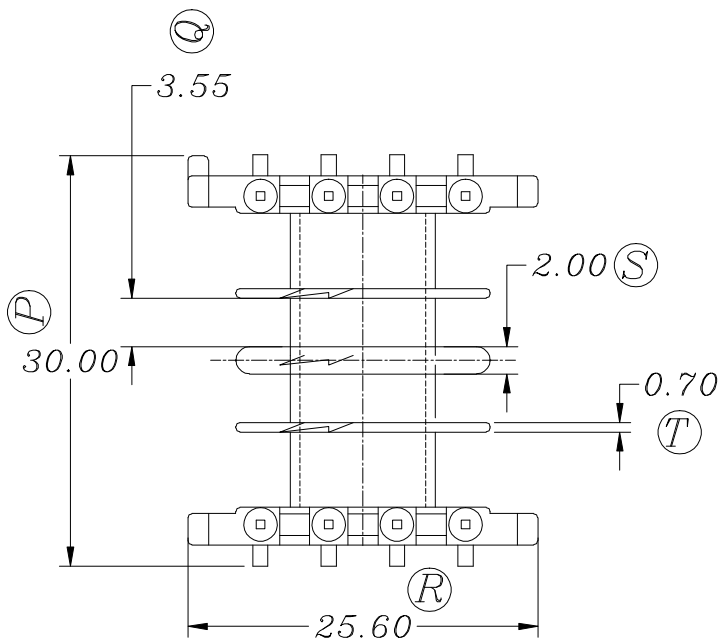
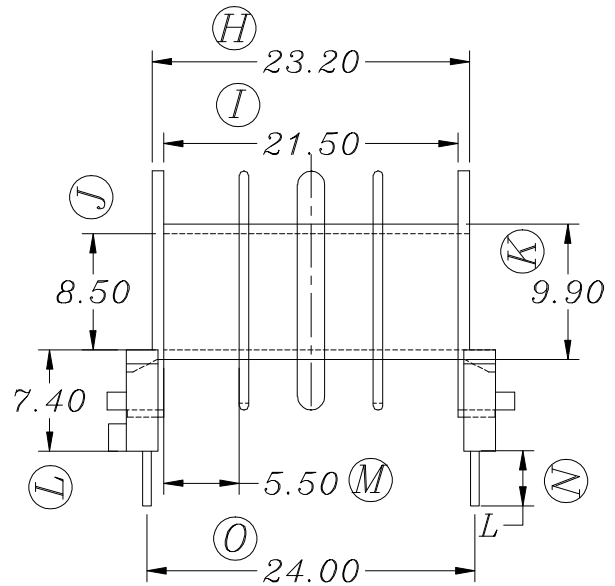
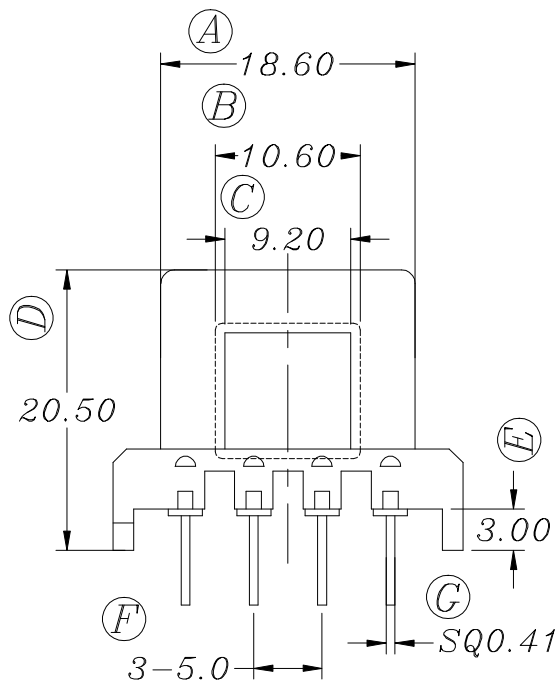


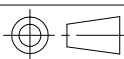
ZX-25BI



| REV. | REVISIONS | REC. | DATE | REV. | REVISIONS | REC. | DATE |
|-----------------------|-----------|---------------|------|---|-----------|----------------------|------|
| 1 | | | | 4 | | | |
| 2 | | | | 5 | | | |
| 3 | | | | 6 | | | |
| DRAWN & DRAFTED BY | | LIU WEI QIANG | | TOLERANCES | | ANGLE: $\pm 1^\circ$ | |
| CHECKED & APPROVED BY | | ZHANG YONG | | $0 < L \leq 4 \pm 0.1$ $4 < L \leq 16 \pm 0.2$ $16 < L \leq 63 \pm 0.3$ | | UNIT: MM SCALE: | |
| TITLE: | | EFD-25(4+4P) | | | | | |
| BOBBIN MATERIAL: | | PET | | UL REC. | | UL 94V-0 | |
| PIN MATERIAL: | | CP WIRE | | PIN TENSION LOAD: | | 0.8KG MIN | |
| DATE: | | 2018.12.08 | | DRAWING NO. | | ZX-25BI | |
| REV. | | A01 | | | | | |



智信电子塑胶有限公司
 ZHI XIN ELECTRONICS PLASTIC CO., LTD.
 TEL: 0769-86389901-2 FAX: 0769-86389903



DATE: 2018.12.08

DRAWING NO.

ZX-25BI

REV. A01