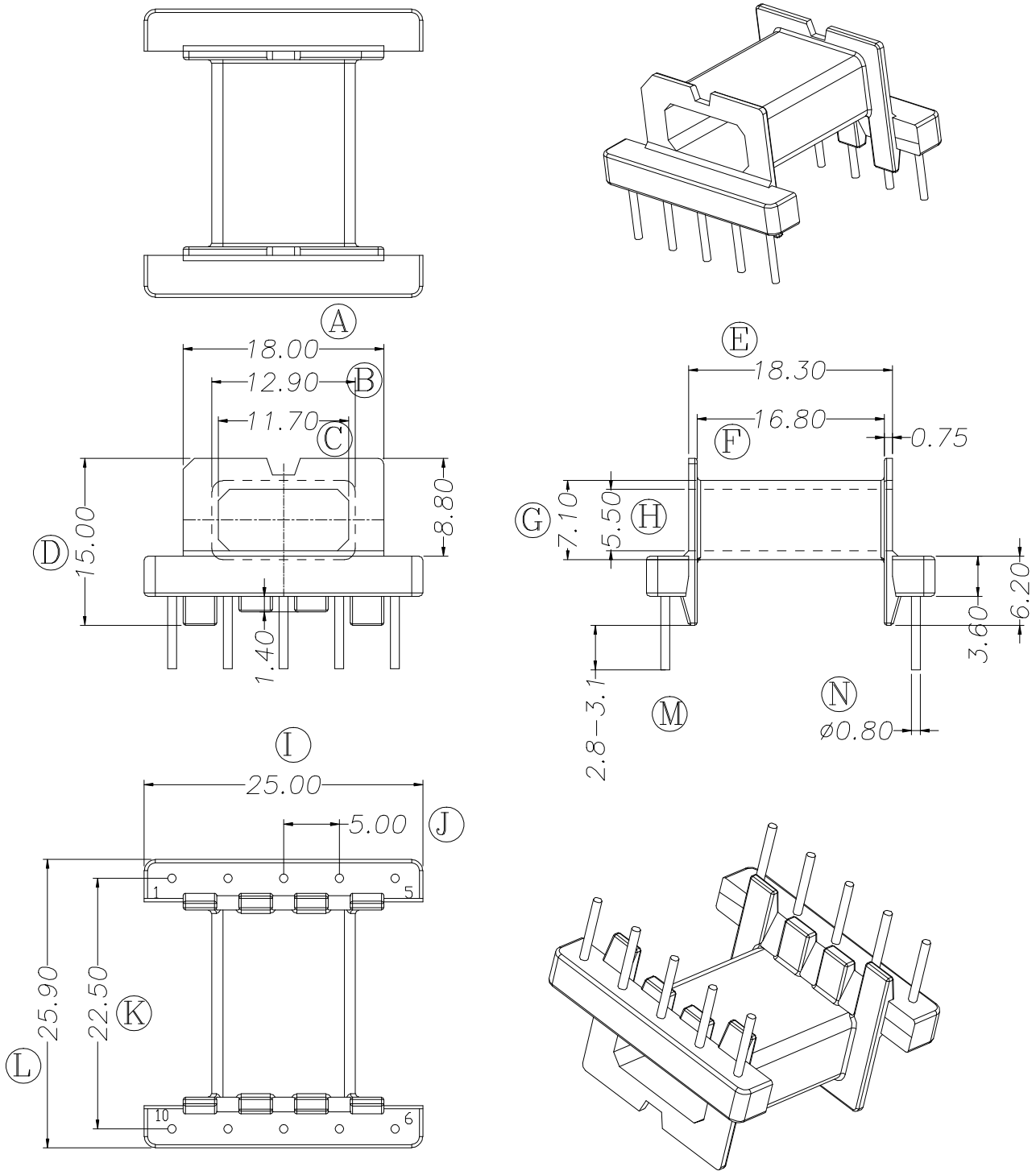


ZX-25BB

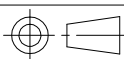


REV.	REVISIONS	REC.	DATE	REV.	REVISIONS	REC.	DATE
1				4			
2				5			
3				6			
DRAWN & DRAFTED BY		LIU WEI QIANG		TOLERANCES		ANGLE: $\pm 1^\circ$	
CHECKED & APPROVED BY		LI QI YI		pin pitch		TITLE: EFD-25(5+5P)	
				0<L≤4 ±0.1		BOBBIN MATERIAL: PHENOLIC	
				4<L≤16 ±0.2		UL REC. UL 94V-0	
				16<L≤63 ±0.3		PIN MATERIAL: CP WIRE	
				±0.2		PIN TENSION LOAD: 1.0KG MIN	
				UNIT: MM		SCALE:	
				DATE: 2018.02.24		DRAWING NO. ZX-25BB	
				REV. A01			



智信电子塑胶有限公司

ZHI XIN ELECTRONICS PLASTIC CO., LTD.
TEL:0769-86389901-2 FAX:0769-86389903



DATE: 2018.02.24

DRAWING NO. ZX-25BB

REV. A01