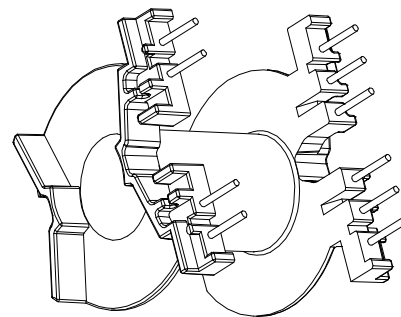
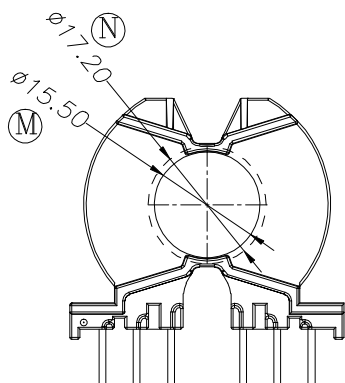
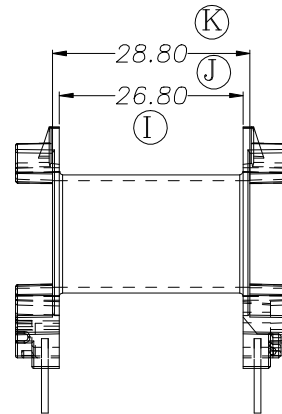
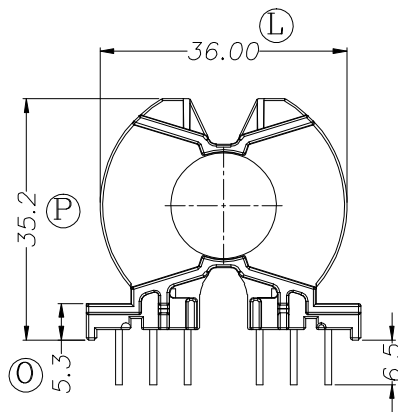
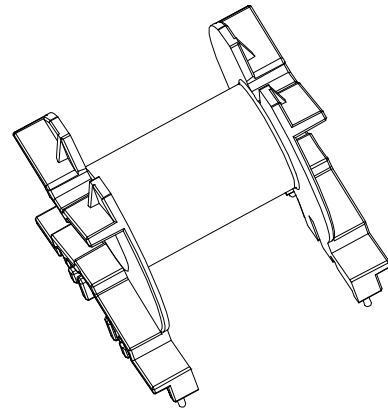
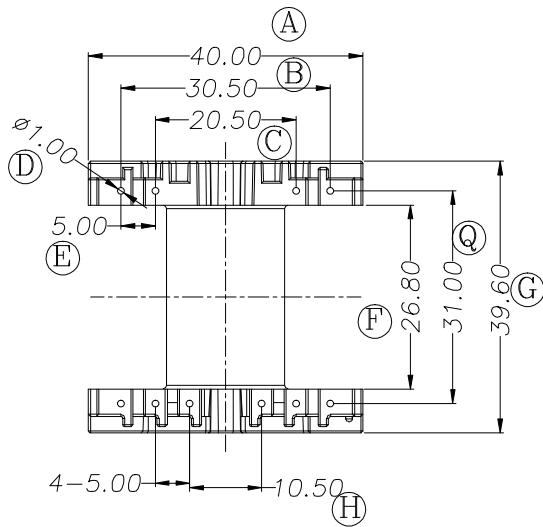


ZX-40M

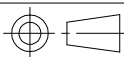


REV.	REVISIONS REC.		DATE	REV.	REVISIONS REC.		DATE
1				4			
2				5			
3				6			
DRAWN & DRAFTED BY		LIU WEI QIANG		TOLERANCES		ANGLE: $\pm 1^\circ$	
CHECKED & APPROVED BY		LI QI YI		pin pitch		TITLE: EQ-4040 (4+6P)	
		0 < L ≤ 4 ±0.1		UNIT: MM		BOBBIN MATERIAL: PM9820	
		4 < L ≤ 16 ±0.2		SCALE:		UL REC. UL 94V-0	
		16 < L ≤ 63 ±0.3		DATE: 2017.11.28		PIN MATERIAL: CP WIRE	
				DRAWING NO. ZX-40M		PIN TENSION LOAD: 1.0 KG MIN	
				REV. A01			



智信电子塑胶有限公司

ZHI XIN ELECTRONICS PLASTIC CO., LTD.
TEL:0769-86389901-2 FAX:0769-86389903



DATE: 2017.11.28

DRAWING NO.

ZX-40M

REV. A01