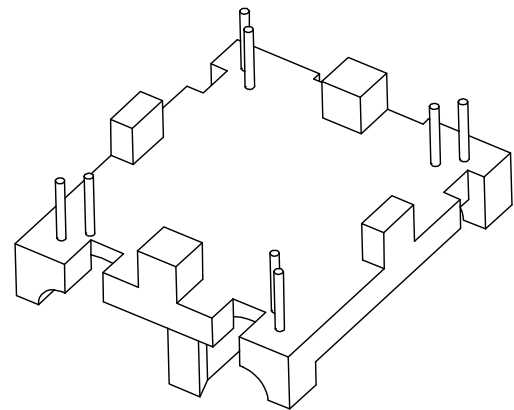
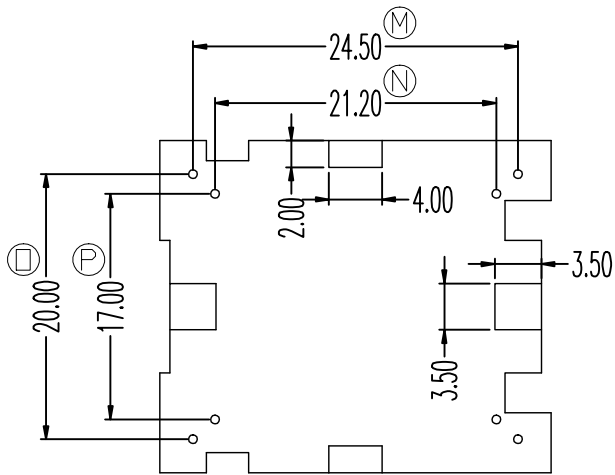
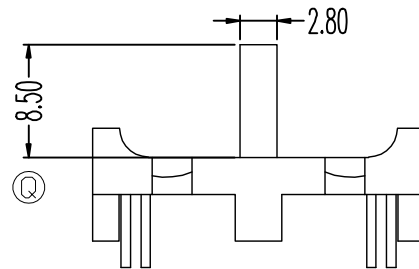
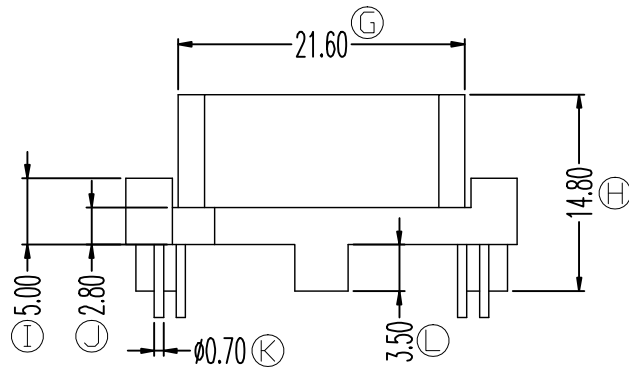
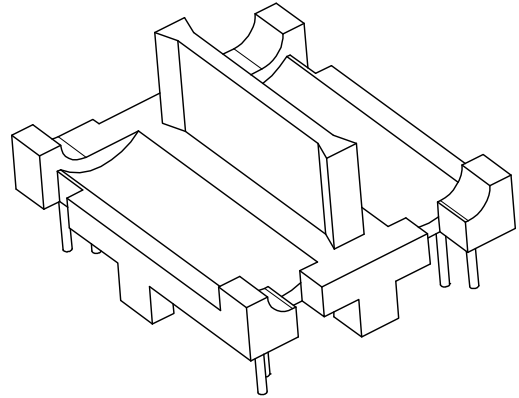
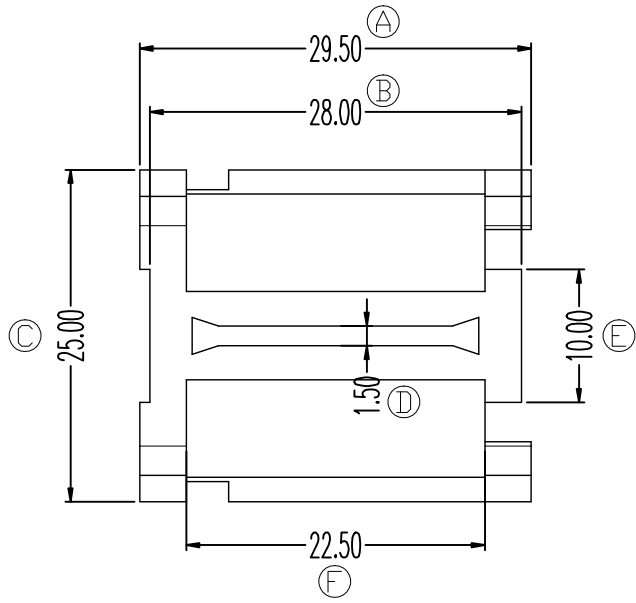


ZX-B116



REV.	REVISIONS	REC.	DATE	REV.	REVISIONS	REC.	DATE
1				4			
2				5			
3				6			
DRAWN & DRAFTED BY		LIU WEI QIANG		TOLERANCES		ANGLE: $\pm 1^\circ$	
CHECKED & APPROVED BY		ZHANG YONG		$0 < L \leq 4 \pm 0.1$ $4 < L \leq 16 \pm 0.2$ $16 < L \leq 63 \pm 0.3$		pin pitch ± 0.2	
智信电子塑胶有限公司 ZHI XIN ELECTRONICS PLASTIC CO., LTD. TEL:0769-86389901-2 FAX:0769-86389903				UNIT: MM		TITLE: SQ-2820(8P)	
SCALE:				PIN MATERIAL: CP WIRE		BOBBIN MATERIAL: PHENOLIC	
DATE: 2019.03.16				DRAWING NO. ZX-B116		UL REC. UL 94V-0	
						PIN TENSION LOAD: 1.0KG MIN	
						REV. A01	