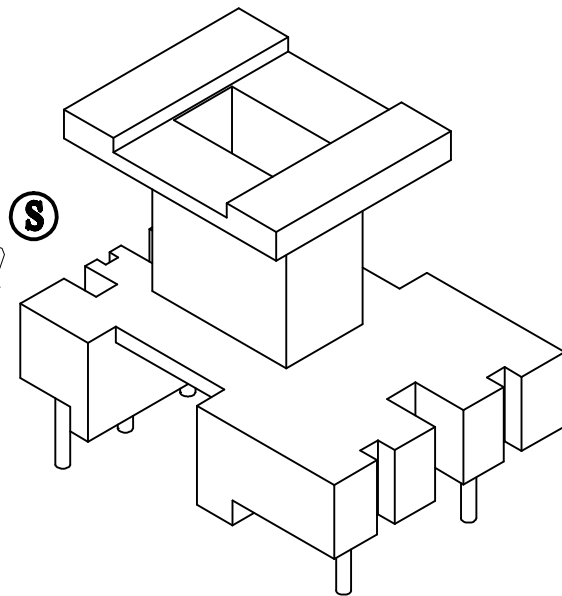
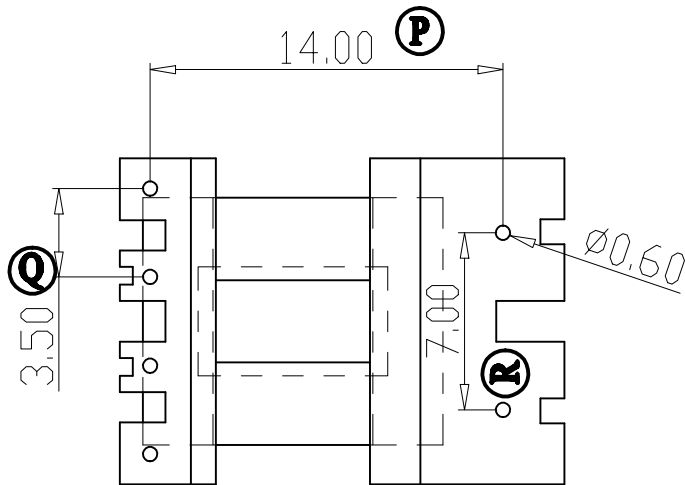
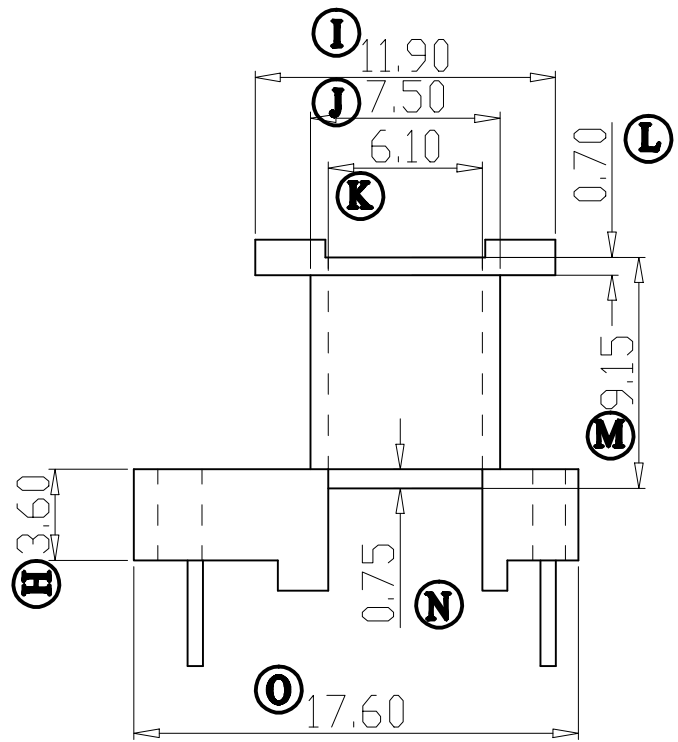
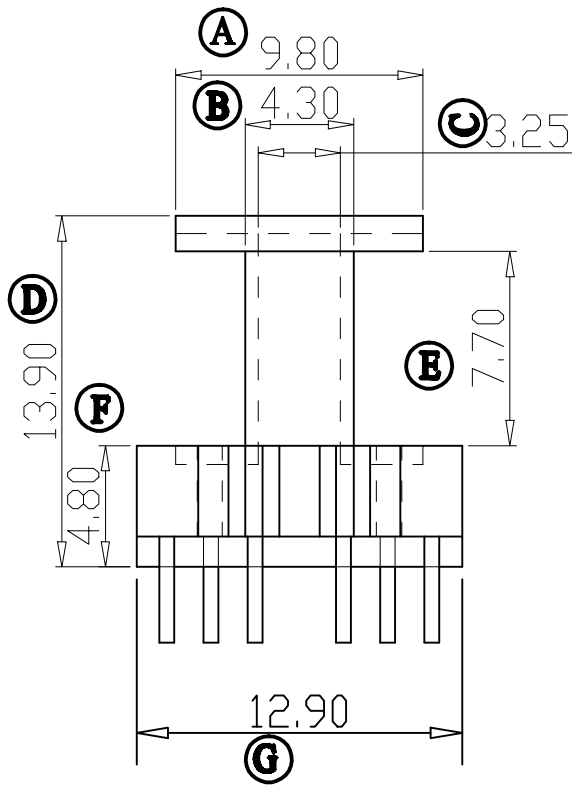


ZX-13AS



REV.	REVISIONS		REC.	DATE	REV.	REVISIONS		REC.	DATE
1					4				
2					5				
3					6				
DRAWN & DRAFTED BY		LIU WEI QIANG		TOLERANCES		ANGLE:		TITLE:	
CHECKED & APPROVED BY		ZHANG YONG		0<L≤4 ±0.1		±1°		EE-13(4+2P)	
				4<L≤16 ±0.2		UNIT:		BOBBIN MATERIAL:	
				16<L≤63 ±0.3		MM		PHENOLIC	
				pin pitch ±0.2		SCALE:		UL REC. UL 94V-0	
						PIN MATERIAL:		PIN TENSION LOAD:	
						CP WIRE		1.0KG MIN	
						DATE:		DRAWING NO.	
						2018.11.30		ZX-13AS	
								REV. A01	