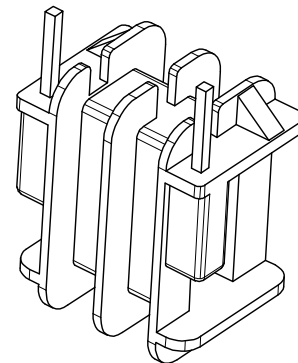
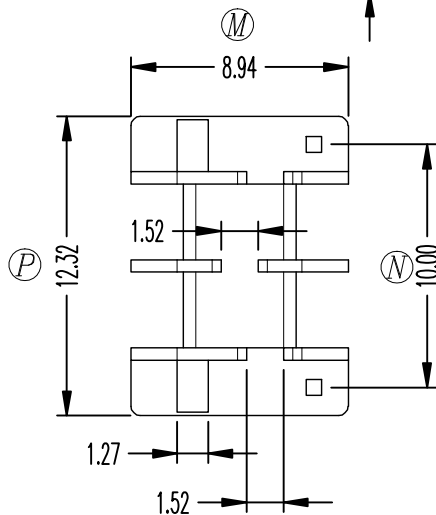
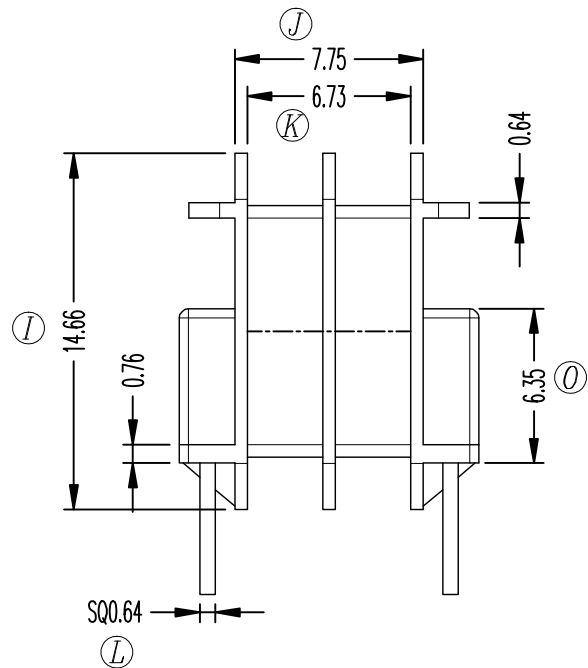
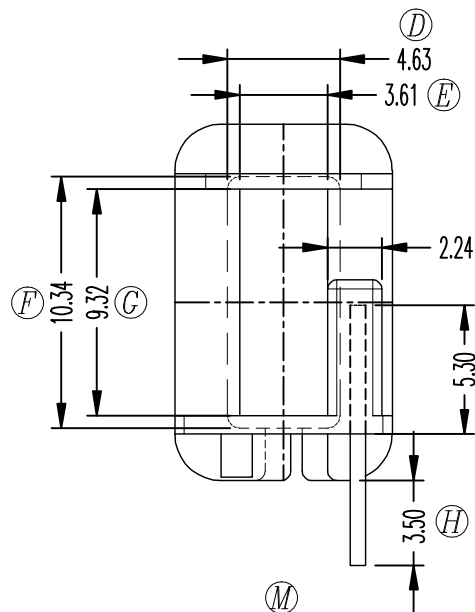
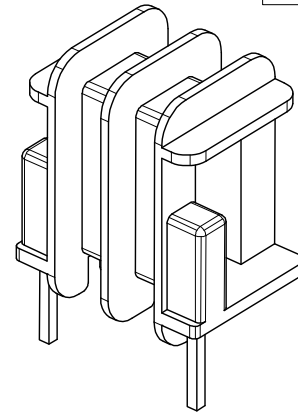
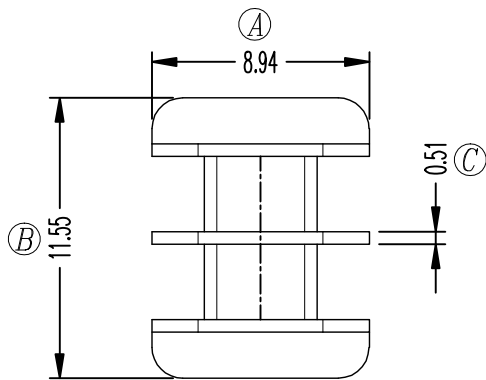


ZX-16.5A



REV.	REVISIONS		REC.	DATE	REV.	REVISIONS		REC.	DATE
1					4				
2					5				
3					6				
DRAWN & DRAFTED BY		LIU WEI QIANG		TOLERANCES		ANGLE:		TITLE:	
CHECKED & APPROVED BY		ZHANG YONG		0 < L ≤ 4 ±0.1		±1°		EE-16.5(2P)	
				4 < L ≤ 16 ±0.2		UNIT:		BOBBIN MATERIAL:	
				16 < L ≤ 63 ±0.3		MM		FR530	
				pin pitch ±0.2		SCALE:		UL REC.	
								UL 94V-0	
								PIN MATERIAL:	
								CP WIRE	
								PIN TENSION LOAD:	
								1.0KG MIN	
智信电子塑胶有限公司 ZHI XIN ELECTRONICS PLASTIC CO., LTD. TEL:0769-86389901-2 FAX:0769-86389903				DATE: 2018.09.04		DRAWING NO. ZX-16.5A		REV. A01	