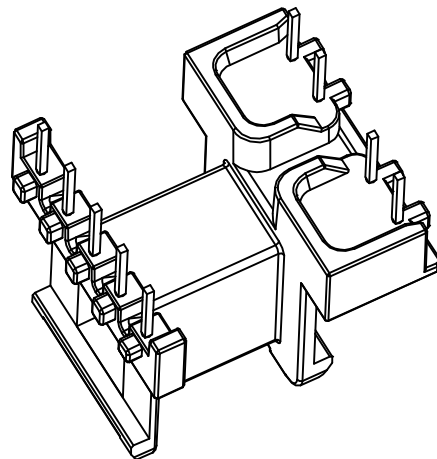
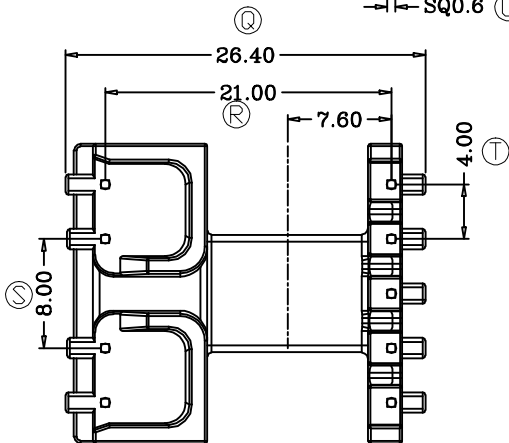
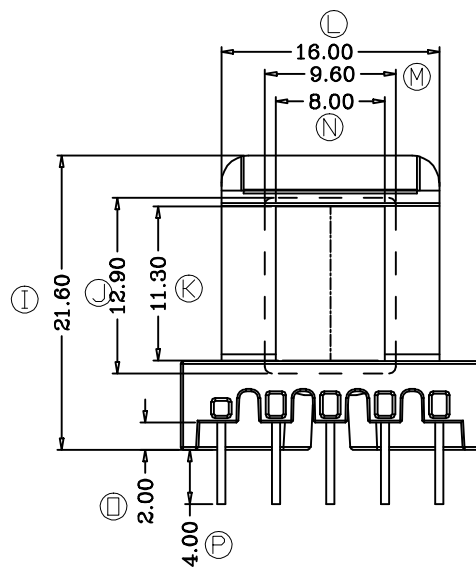
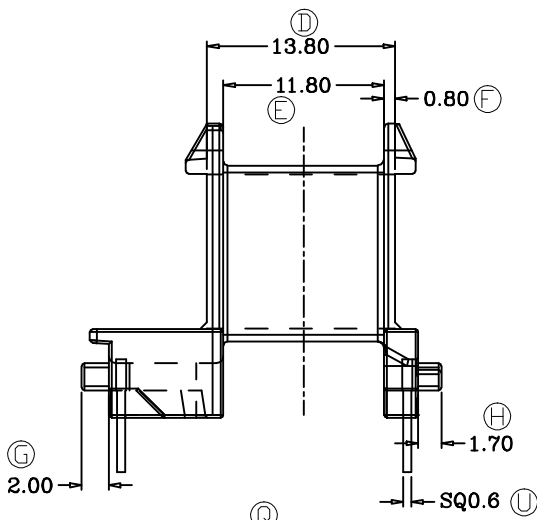
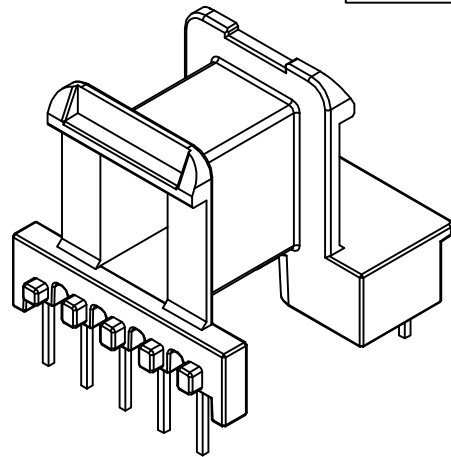
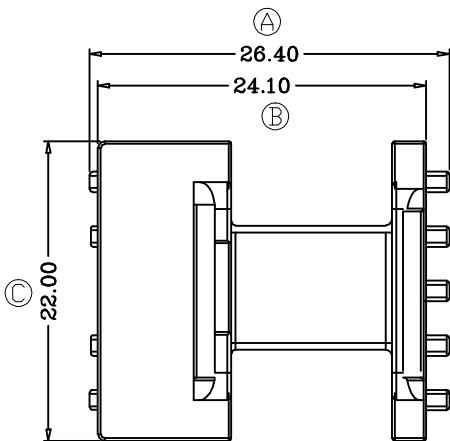


ZX-24G



REV.	REVISIONS REC.	DATE	REV.	REVISIONS REC.	DATE
1			4		
2			5		
3			6		
DRAWN & DRAFTED BY		TOLERANCES		ANGLE: ±1°	TITLE: EE-24(5+4P)
CHECKED & APPROVED BY	CHEN LING	0<L<4 ±0.1 pin pitch	UNIT: MM	BOBBIN MATERIAL: PHENOLIC	UL REC. UL 94V-0
		4<L<16 ±0.2	SCALE:	PIN MATERIAL: CP WIRE	PIN TENSION LOAD: 0.8KG MIN
		16<L<63 ±0.3 ±0.2	DATE: 2017.09.05	DRAWING NO. ZX-24G	REV. A01



智信电子塑胶有限公司  
ZHI XIN ELECTRONICS PLASTIC CO., LTD.  
TEL: 0769-86389901-2 FAX: 0769-86389903

