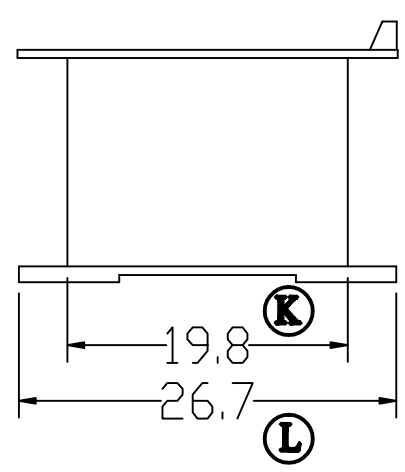
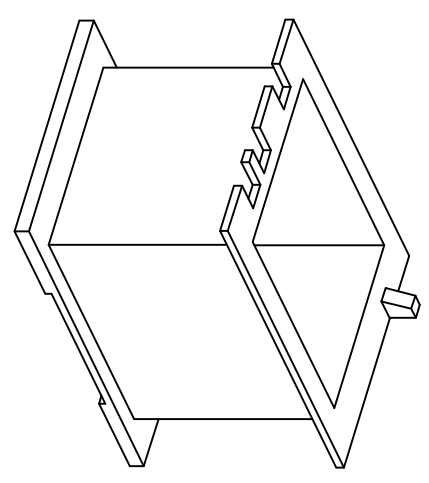
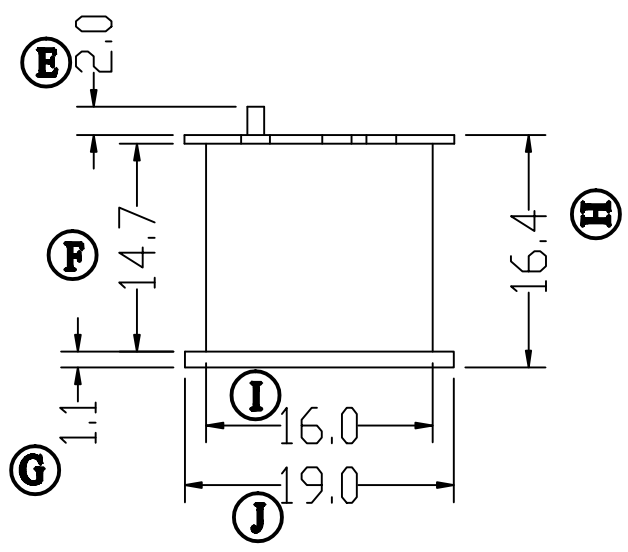
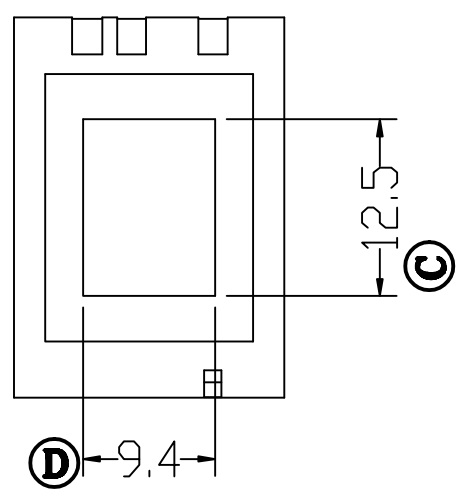
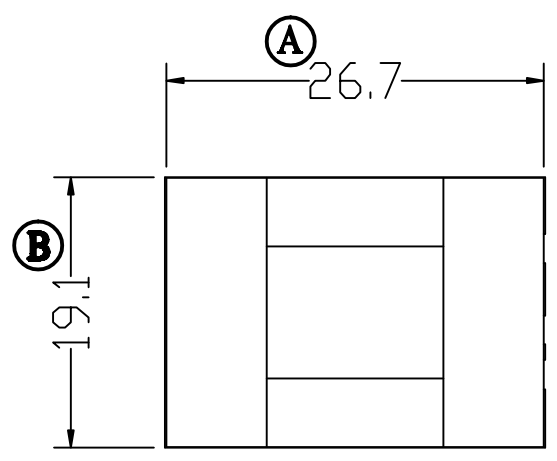


ZX-28AU



REV.	REVISIONS	REC.	DATE	REV.	REVISIONS	REC.	DATE
1				4			
2				5			
3				6			
DRAWN & DRAFTED BY		LIU WEI QIANG		TOLERANCES		ANGLE: $\pm 1^\circ$	
CHECKED & APPROVED BY		ZHANG YONG		$0 < L \leq 4 \pm 0.1$ $4 < L \leq 16 \pm 0.2$ $16 < L \leq 63 \pm 0.3$		UNIT: MM TITLE: EE-28	
				pin pitch $\pm 0.2$		BOBBIN MATERIAL: PHENOLIC	
				SCALE:		UL REC. UL 94V-0	
				DATE: 2018.11.30		PIN TENSION LOAD:	
				DRAWING NO. ZX-28AU		REV. A01	

**ZXE** 智信电子塑胶有限公司  
 ZHI XIN ELECTRONICS PLASTIC CO., LTD.  
 TEL: 0769-86389901-2 FAX: 0769-86389903