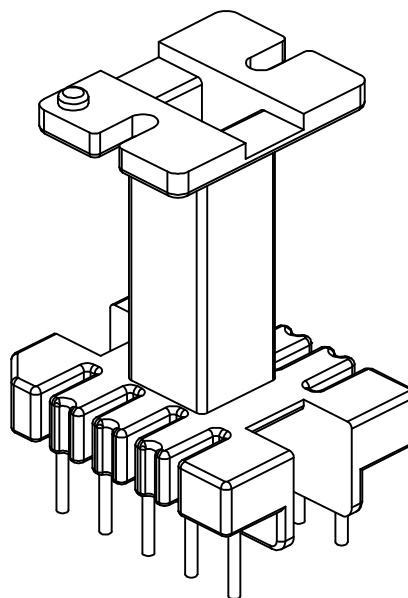
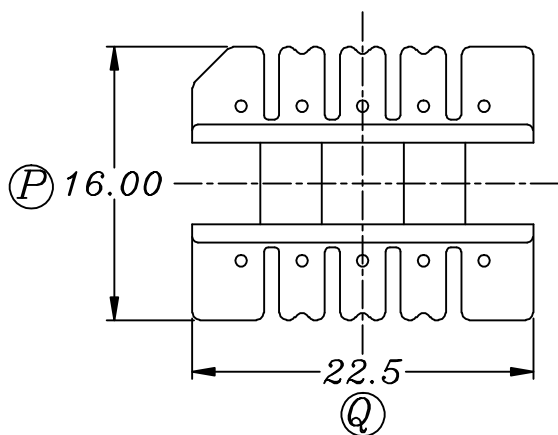
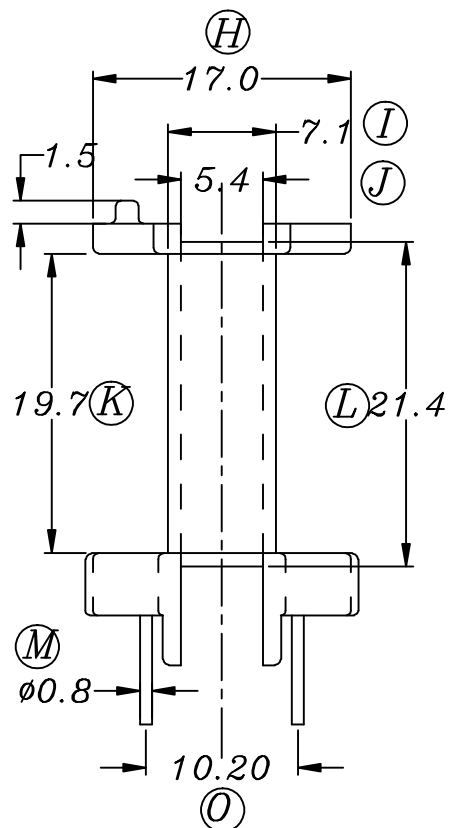
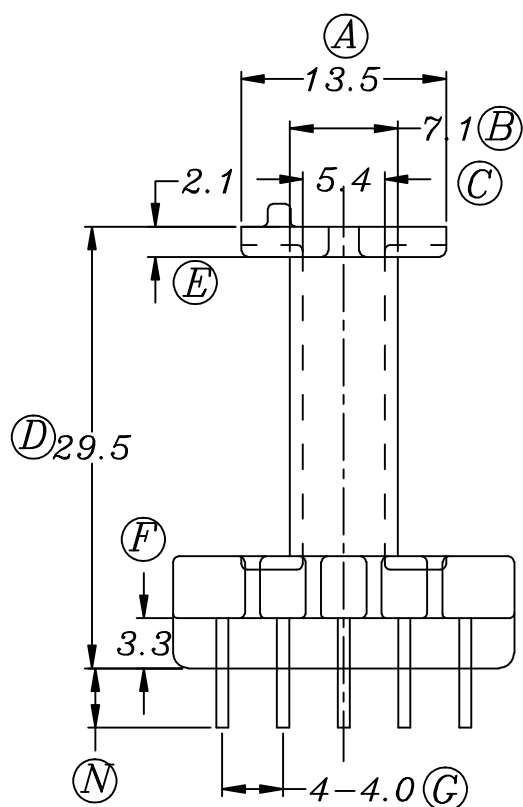


ZX-19V



REV.	REVISIONS REC.	DATE	REV.	REVISIONS REC.	DATE
1	D尺寸由29.10改为29.50, E尺寸由2.00改为2.10	2019.04.15	4		
2			5		
3			6		
DRAWN & DRAFTED BY		LIU WEI QIANG		TITLE: EEL-19(5+5P)	
CHECKED & APPROVED BY		MA BU JIAN		BOBBIN MATERIAL: PHENOLIC	
		TOLERANCES		UL REC. UL 94V-0	
		0 < L ≤ 4 ±0.1		PIN TENSION LOAD: 1.2KG MIN	
		4 < L ≤ 16 ±0.2			
		16 < L ≤ 63 ±0.3			
		pin pitch ±0.2			
		ANGLE: ±1°			
		UNIT: MM		PIN MATERIAL: CP WIRE	
		SCALE:		DATE: 2019.04.15	
		DRAWING NO. ZX-19V		REV. A02	