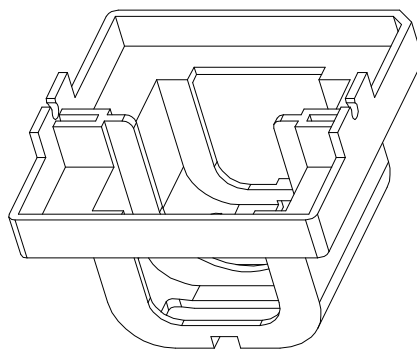
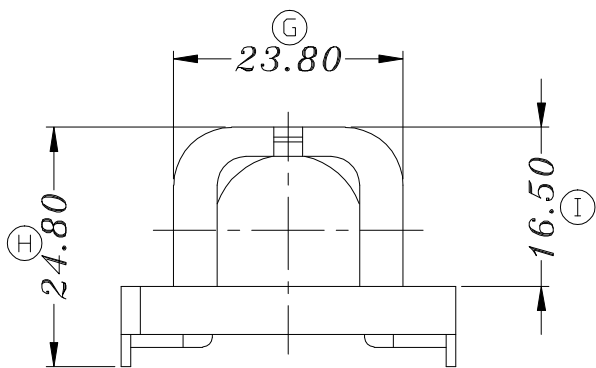
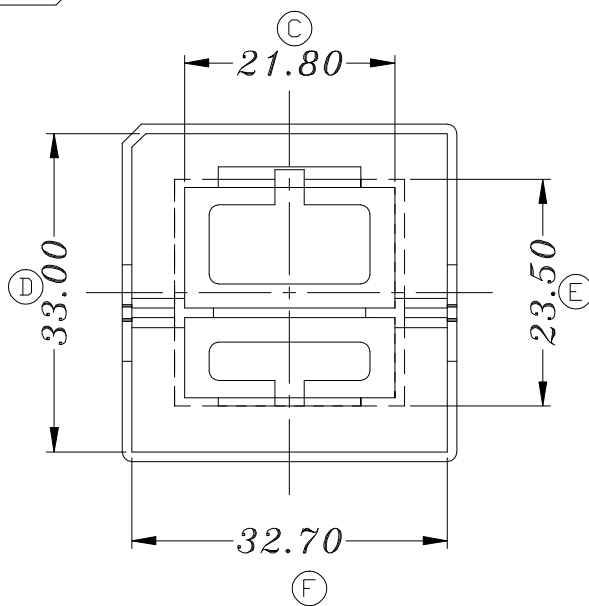
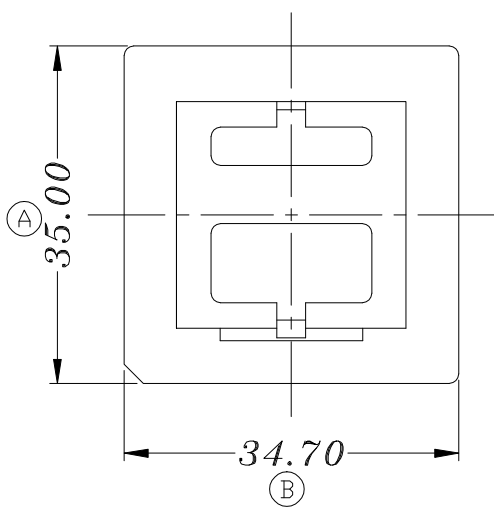
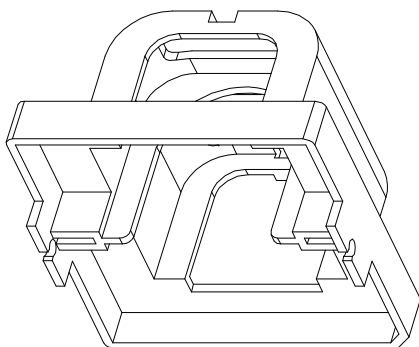


ZX-34B1



对应的ZX-34B

| REV. | REVISIONS REC. | | DATE | REV. | REVISIONS REC. | | DATE |
|-----------------------|----------------|------------------|----------------|--------|----------------------|---------------------|----------|
| 1 | | | | 4 | | | |
| 2 | | | | 5 | | | |
| 3 | | | | 6 | | | |
| DRAWN & DRAFTED BY | LIU WEI QIANG | TOLERANCES | | ANGLE: | TITLE: ETD-34 | | |
| CHECKED & APPROVED BY | MA BU JIAN | 0 < L ≤ 4 ±0.1 | pin pitch ±0.2 | UNIT: | BOBBIN MATERIAL: PBT | UL REC. UL 94V-0 | |
| | | 4 < L ≤ 16 ±0.2 | | MM | PIN MATERIAL: | PIN TENSION LOAD: | |
| | | 16 < L ≤ 63 ±0.3 | | SCALE: | DATE: 2005.08.23 | DRAWING NO. ZX-34B1 | REV. A01 |



智信电子塑胶有限公司
ZHI XIN ELECTRONICS PLASTIC CO., LTD.
TEL:0769-86389901-2 FAX:0769-86389903

