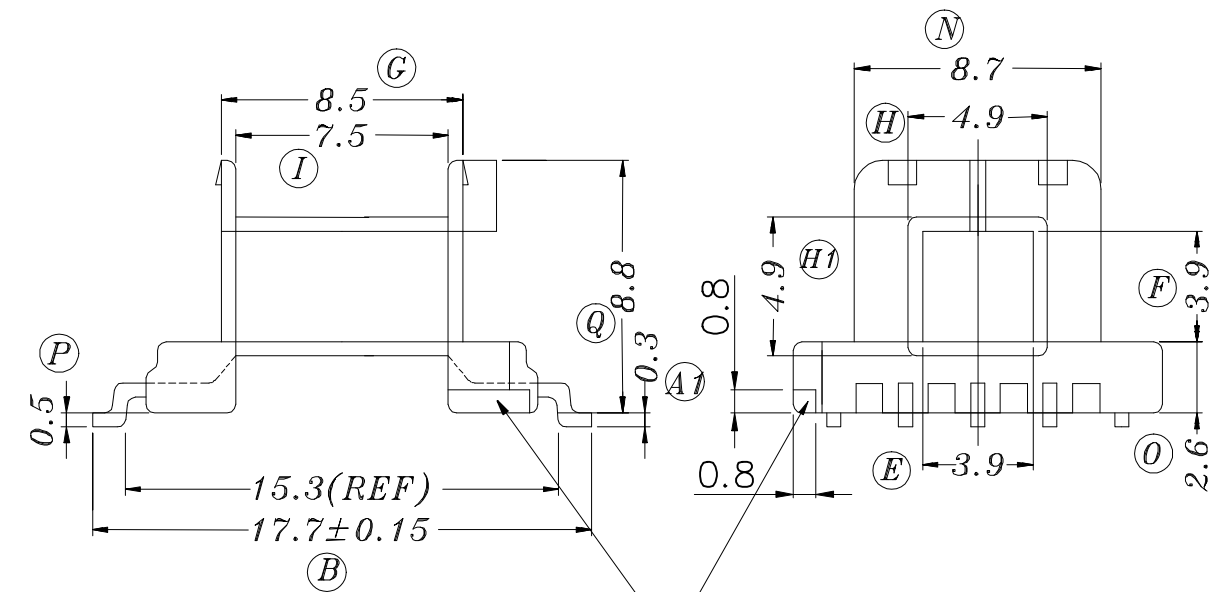
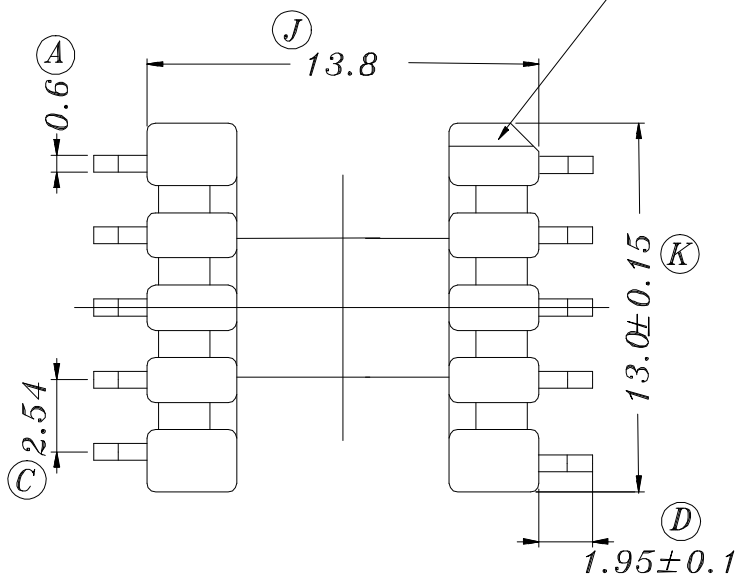


ZXS-12.6B

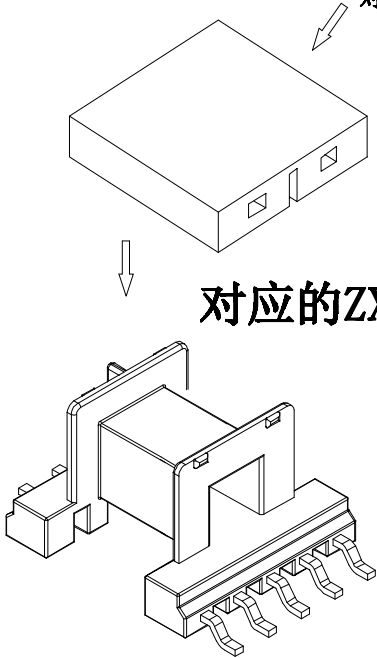


增加缺口

对应的ZX-C033



对应的ZX-12.6B1



REV.	REVISIONS	REC.	DATE	REV.	REVISIONS	REC.	DATE
1	PIN座C角处增加缺口0.8x0.8		18.07.05	4			
2				5			
3				6			

DRAWN & DRAFTED BY	LIU WEI QIANG		TOLERANCES	ANGLE: ±1°	TITLE: EF-12.6 (5+5P)		
	CHECKED & APPROVED BY	MA BU JIAN			0<L≤4 ±0.1	pin pitch ±0.2	BOBBIN MATERIAL: PHENOLIC
		4<L≤16 ±0.2	UNIT: MM	PIN MATERIAL: CP WIRE	PIN TENSION LOAD: 1.0KG MIN		
		16<L≤63 ±0.3	SCALE:	DATE: 2018.07.05	DRAWING NO. ZXS-12.6B	REV. A02	