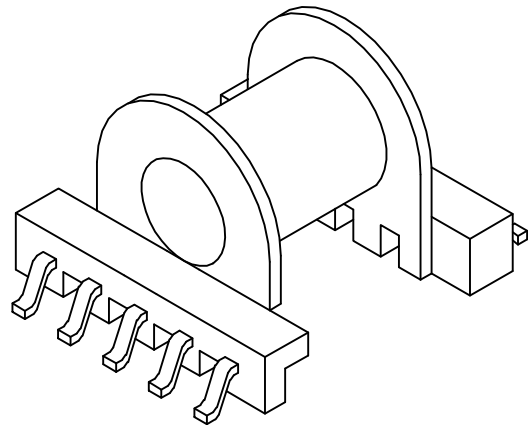
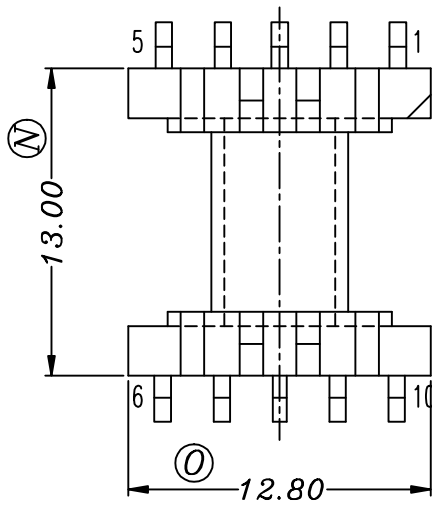
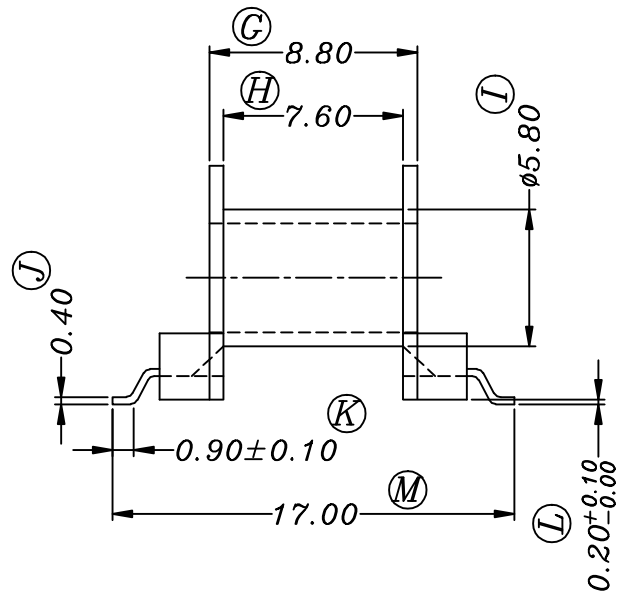
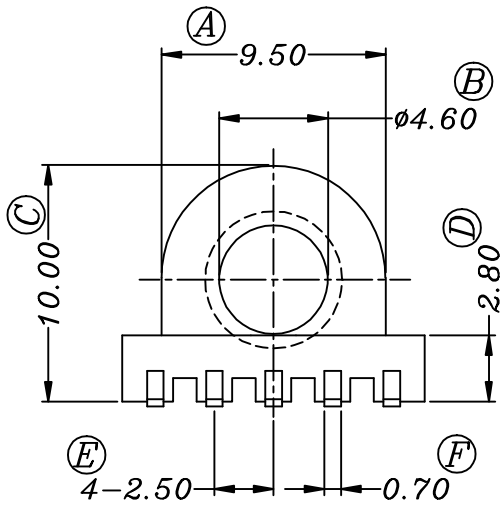


ZXS-13T



REV.	REVISIONS	REC.	DATE	REV.	REVISIONS	REC.	DATE
1				4			
2				5			
3				6			
DRAWN & DRAFTED BY		LIU WEI QIANG		TOLERANCES		ANGLE:	
CHECKED & APPROVED BY		MA BU JIAN		0 < L ≤ 4 ± 0.1		± 1°	
				4 < L ≤ 16 ± 0.2		UNIT:	
				16 < L ≤ 63 ± 0.3		MM	
				pin pitch ± 0.2		BOBBIN MATERIAL:	
						PHENOLIC	
						UL REC. UL 94V-0	
						PIN MATERIAL:	
						CP WIRE	
						PIN TENSION LOAD:	
						1.0KG MIN	
				SCALE:		DATE:	
				DATE:		DRAWING NO.	
				2012.06.09		ZXS-13T	
						REV. A01	



智信电子塑胶有限公司
ZHI XIN ELECTRONICS PLASTIC CO., LTD.
TEL: 0769-86389901-2 FAX: 0769-86389903

