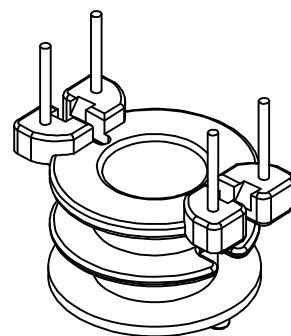
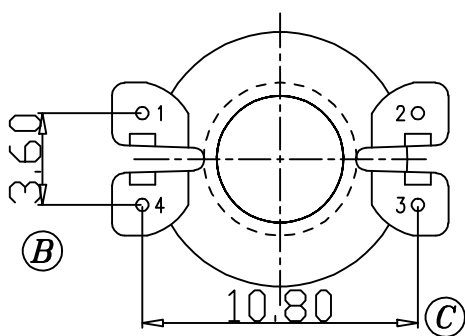
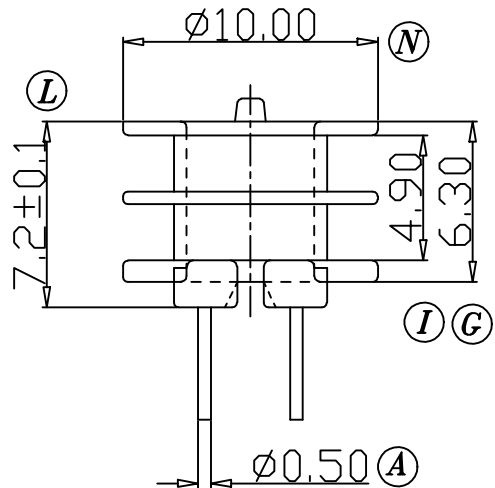
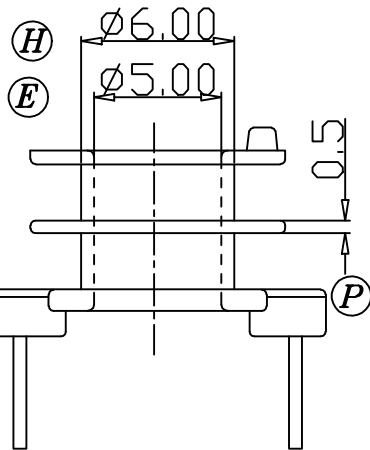
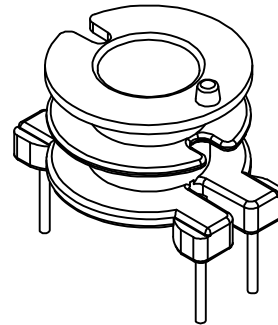
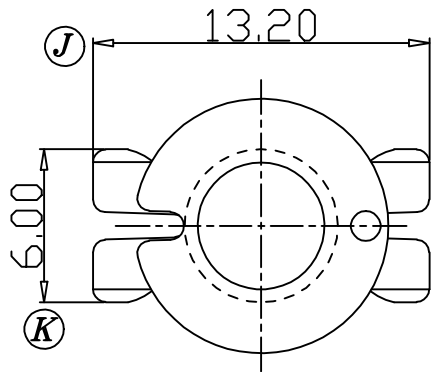


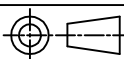
ZX-5C1



REV.	REVISIONS	REC.	DATE	REV.	REVISIONS	REC.	DATE
1				4			
2				5			
3				6			
DRAWN & DRAFTED BY		LIU WEI QIANG		TOLERANCES		ANGLE: ±1°	
CHECKED & APPROVED BY		MA BU JIAN		0<L≤4 ±0.1 4<L≤16 ±0.2 16<L≤63 ±0.3		pin pitch ±0.2	
				UNIT: MM		TITLE: RM-5(2+2P)2S	
				SCALE:		BOBBIN MATERIAL: PHENOLIC	
				DATE: 2007.07.05		UL REC. UL 94V-0	
				DRAWING NO. ZX-5C1		PIN TENSION LOAD: 0.7kg MIN.	
				REV. A01			



智信电子塑胶有限公司
ZHI XIN ELECTRONICS PLASTIC CO., LTD.
 TEL:0769-86389901-2 FAX:0769-86389903



DATE: 2007.07.05

DRAWING NO. ZX-5C1

REV. A01