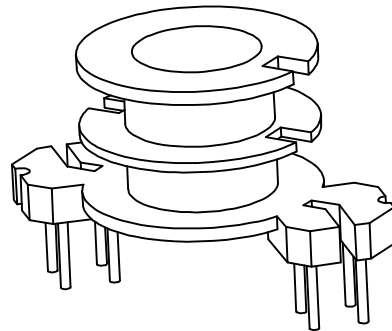
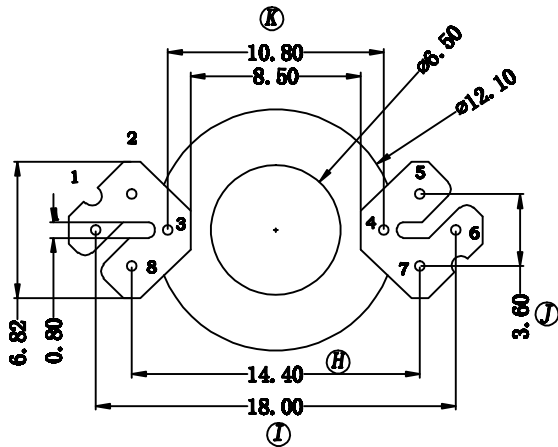
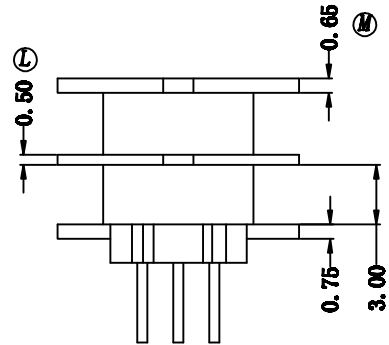
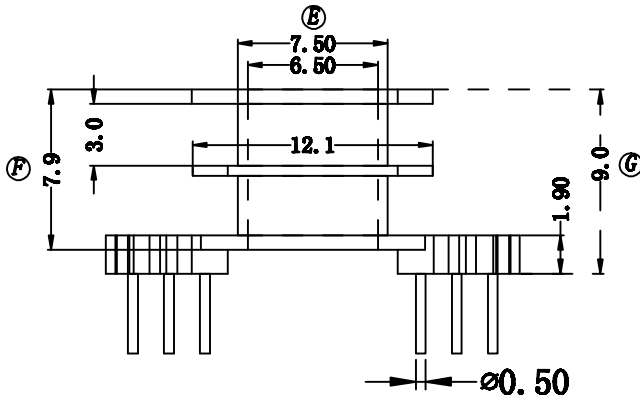
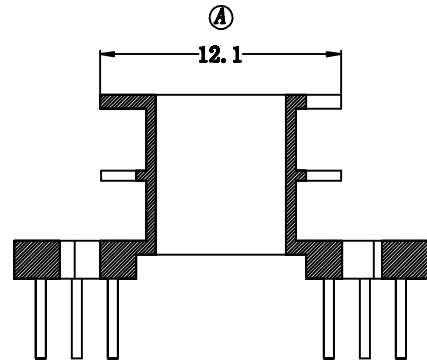
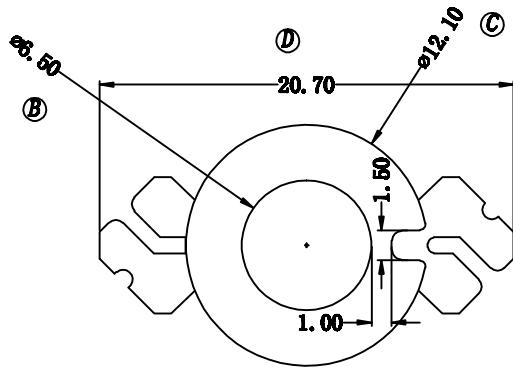


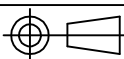
# ZX-6E1



REV.	REVISIONS REC.		DATE	REV.	REVISIONS REC.		DATE		
1				4					
2				5					
3				6					
DRAWN & DRAFTED BY		LIU WEI QIANG		TOLERANCES		ANGLE: $\pm 1^\circ$		TITLE: RM-6(4+4P)2S	
CHECKED & APPROVED BY		MA BU JIAN		$0 < L \leq 4 \pm 0.1$ $4 < L \leq 16 \pm 0.2$ $16 < L \leq 63 \pm 0.3$		pin pitch $\pm 0.2$ UNIT: MM		BOBBIN MATERIAL: PHENOLIC	
						SCALE:		UL REC. UL 94V-0	
						PIN MATERIAL: CP WIRE		PIN TENSION LOAD: 0.8KG MIN.	
						DATE: 2004.07.12		DRAWING NO. ZX-6E1	
								REV. A01	



**智信电子塑胶有限公司**  
 ZHI XIN ELECTRONICS PLASTIC CO., LTD.  
 TEL:0769-86389901-2 FAX:0769-86389903



DATE: 2004.07.12

DRAWING NO. ZX-6E1

REV. A01