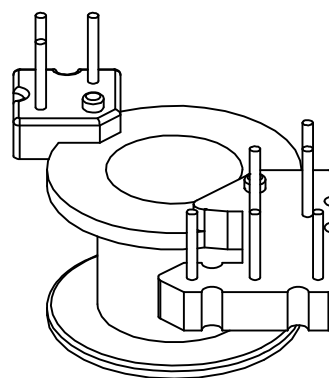
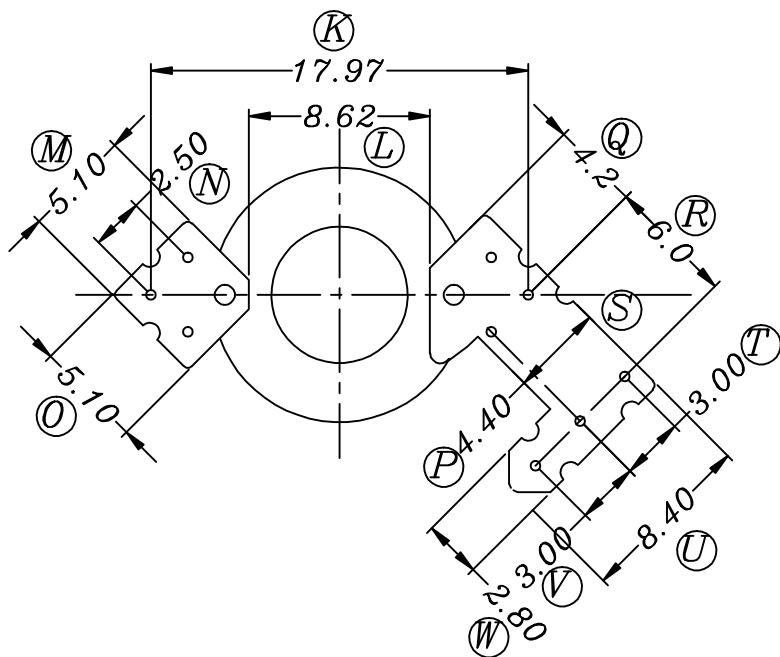
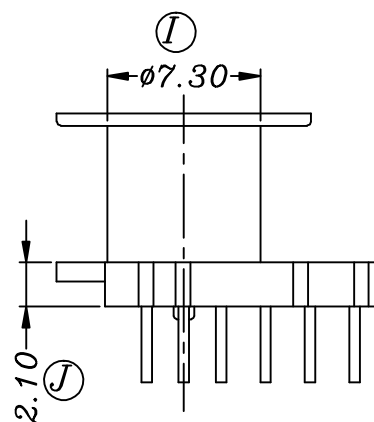
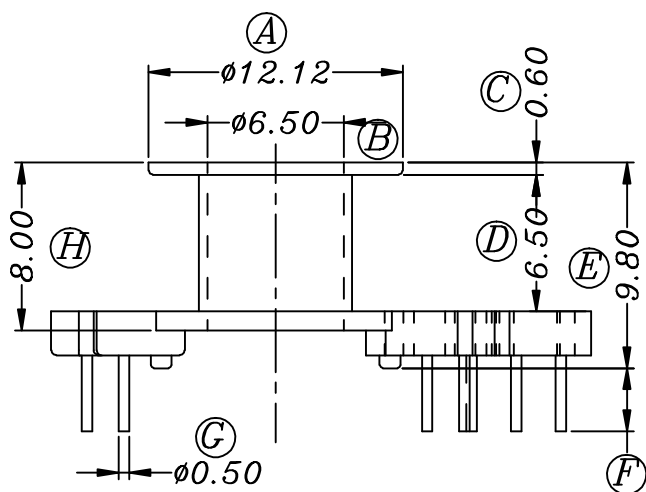


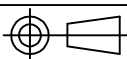
ZX-6F



| REV. | REVISIONS REC. | | DATE | REV. | REVISIONS REC. | | DATE |
|-----------------------|----------------|---------------|------|---|----------------|----------------------|------|
| 1 | | | | 4 | | | |
| 2 | | | | 5 | | | |
| 3 | | | | 6 | | | |
| DRAWN & DRAFTED BY | | LIU WEI QIANG | | TOLERANCES | | ANGLE: $\pm 1^\circ$ | |
| CHECKED & APPROVED BY | | MA BU JIAN | | $0 < L \leq 4 \pm 0.1$ $4 < L \leq 16 \pm 0.2$ $16 < L \leq 63 \pm 0.3$ | | UNIT: MM SCALE: | |
| TITLE: | | RM-6(6+3P) | | BOBBIN MATERIAL: | | PHENOLIC | |
| PIN MATERIAL: | | CP WIRE | | UL REC. | | UL 94V-0 | |
| DATE: | | 2004.09.14 | | DRAWING NO. | | ZX-6F | |
| DRAWING NO.: | | ZX-6F | | REV. | | A01 | |



智信电子塑胶有限公司
 ZHI XIN ELECTRONICS PLASTIC CO., LTD.
 TEL:0769-86389901-2 FAX:0769-86389903



DATE: 2004.09.14

DRAWING NO. ZX-6F

REV. A01