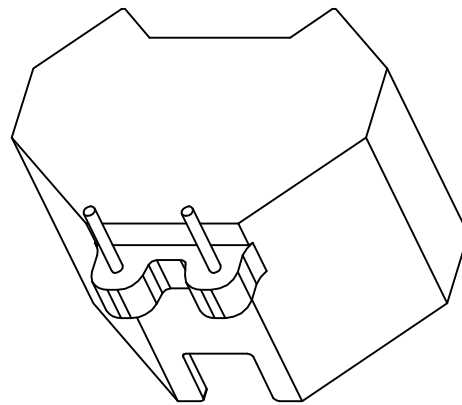
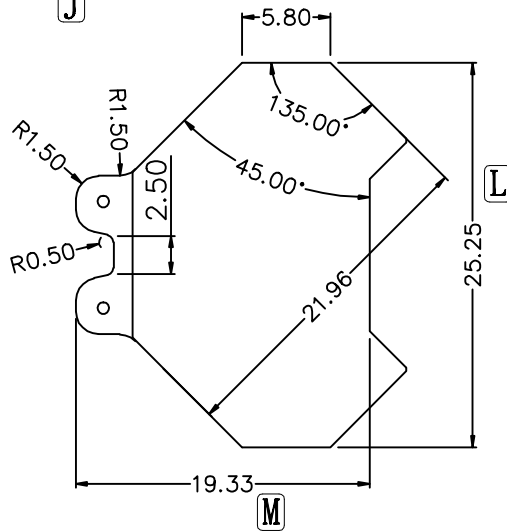
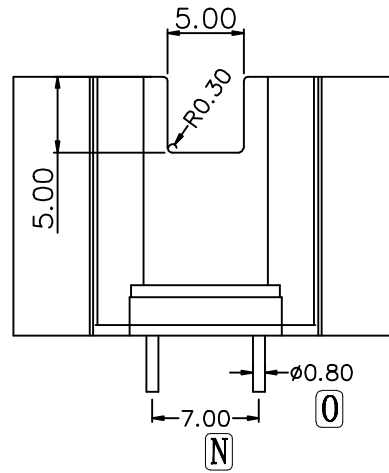
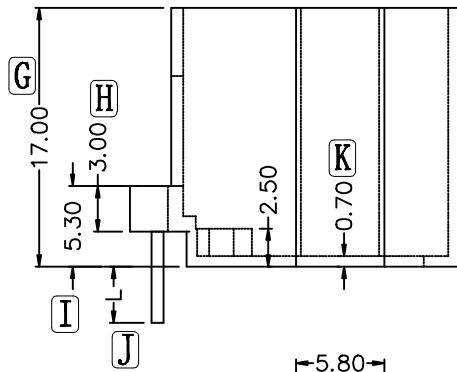
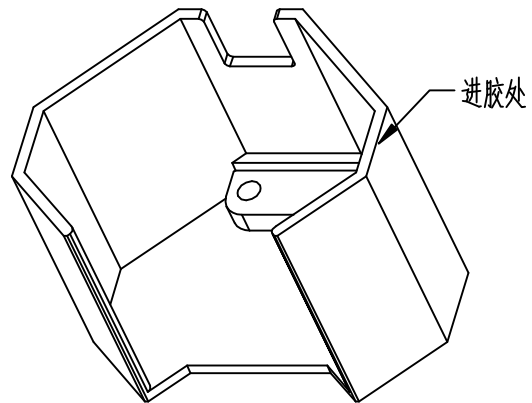
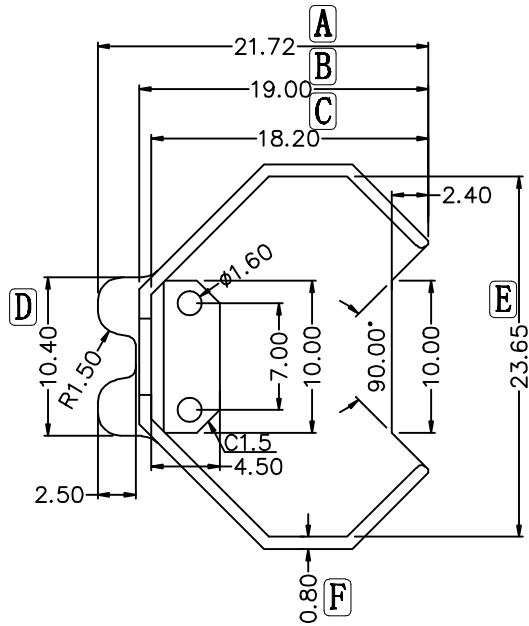


ZX-8K1



REV.	REVISIONS REC.	DATE	REV.	REVISIONS REC.	DATE
1			4		
2			5		
3			6		
DRAWN & DRAFTED BY		LIU WEI QIANG		TITLE: CASE	
CHECKED & APPROVED BY		MA BU JIAN		BOBBIN MATERIAL: PHENOLIC	
		TOLERANCES		UL REC. UL 94V-0	
		0 < L ≤ 4 ±0.1		PIN TENSION LOAD: 1.0KG MIN	
		4 < L ≤ 16 ±0.2			
		16 < L ≤ 63 ±0.3			
		pin pitch ±0.2			
		ANGLE: ±1°			
		UNIT: MM		PIN MATERIAL: CP WIRE	
		SCALE:		DATE: 2016.05.04	
		DRAWING NO. ZX-8K1		REV. A01	



智信电子塑胶有限公司  
ZHI XIN ELECTRONICS PLASTIC CO., LTD.  
TEL:0769-86389901-2 FAX:0769-86389903

