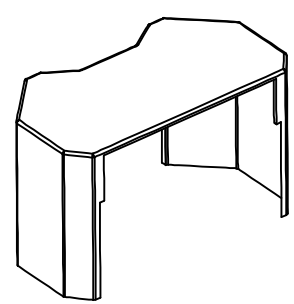
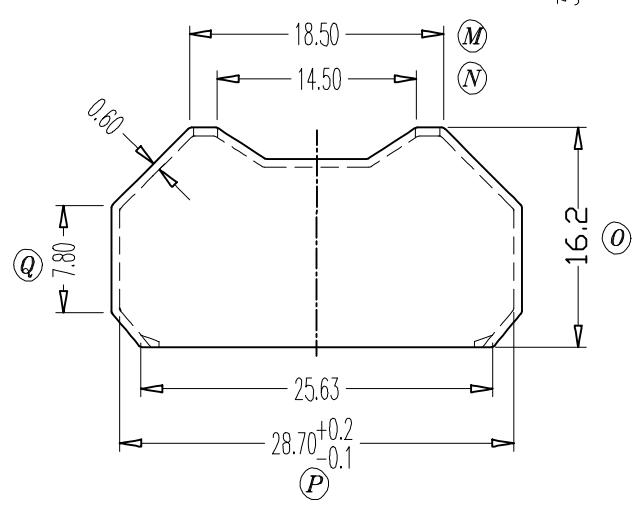
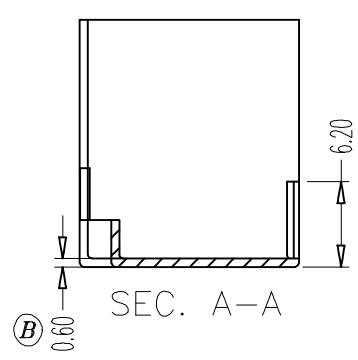
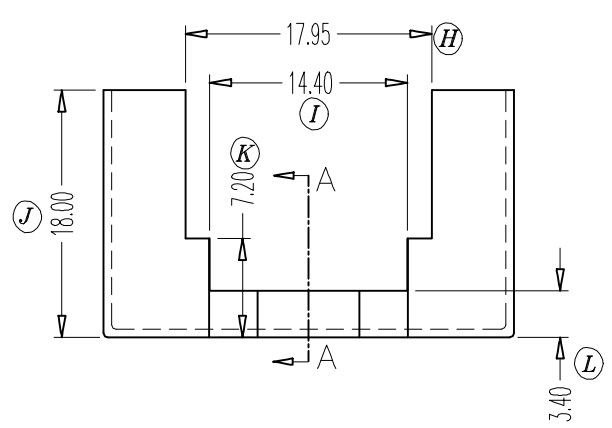
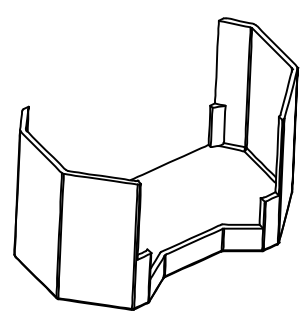
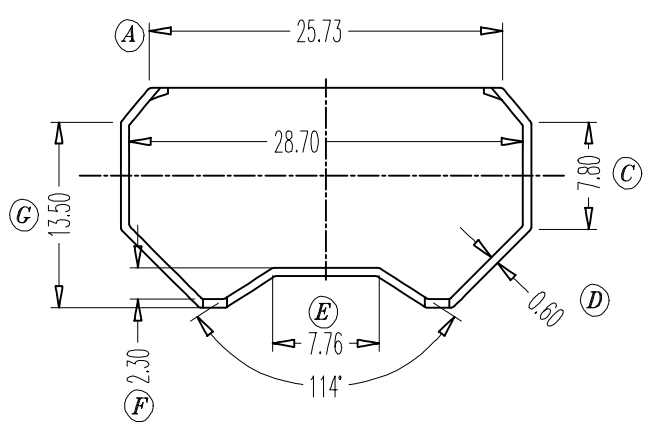


# ZX-10X1



对应的ZX-10X

REV.	REVISIONS REC.		DATE	REV.	REVISIONS REC.		DATE		
1				4					
2				5					
3				6					
DRAWN & DRAFTED BY		LIU WEI QIANG		TOLERANCES		ANGLE: $\pm 1^\circ$		TITLE: RM-10 (CASE)	
CHECKED & APPROVED BY		MA BU JIAN		$0 < L \leq 4 \pm 0.1$ $4 < L \leq 16 \pm 0.2$ $16 < L \leq 63 \pm 0.3$		pin pitch $\pm 0.2$		UNIT: MM	
						SCALE:		BOBBIN MATERIAL: PLASTIC	
								UL REC. UL 94V-0	
								PIN TENSION LOAD:	
		<b>智信电子塑胶有限公司</b> ZHI XIN ELECTRONICS PLASTIC CO., LTD. TEL:0769-86389901-2 FAX:0769-86389903				DATE: 2016.04.20		DRAWING NO. ZX-10X1	
								REV. A01	