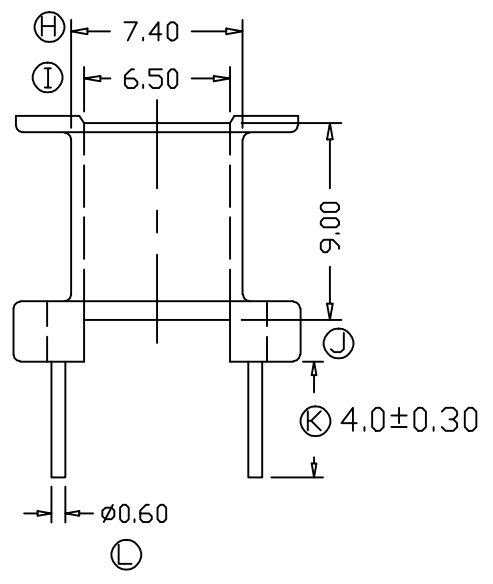
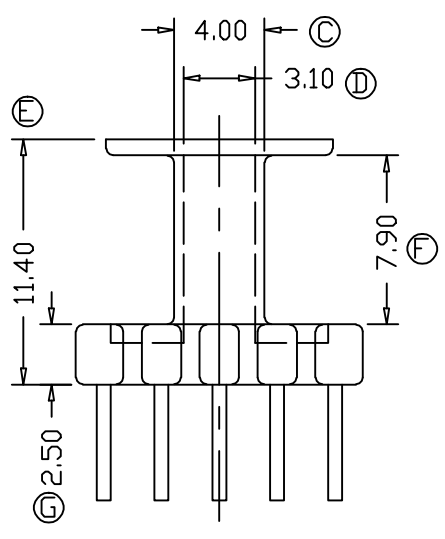
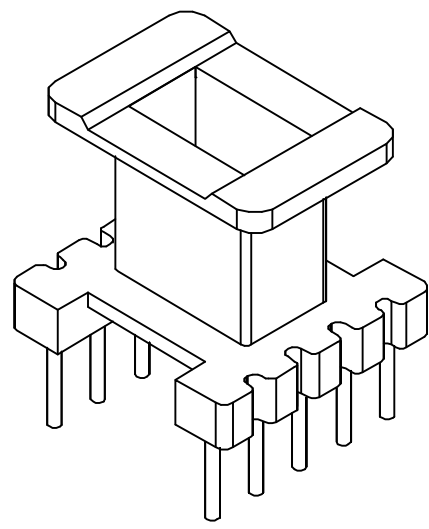
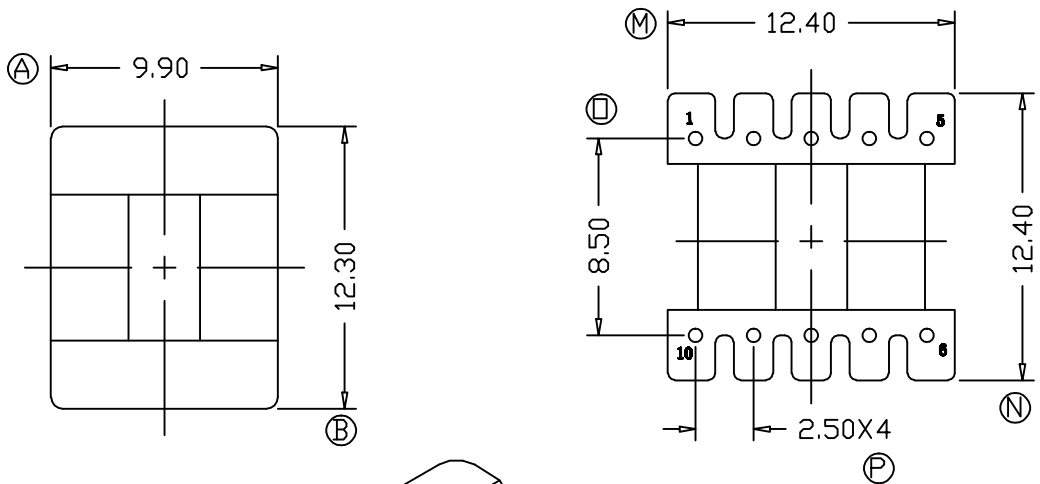


ZX-13A



REV.	REVISIONS	REC.	DATE	REV.	REVISIONS	REC.	DATE		
1				4					
2				5					
3				6					
DRAWN & DRAFTED BY		LIU WEI QIANG		TOLERANCES		ANGLE: ±1°		TITLE: EE-13(5+5P)	
CHECKED &		MA BU JIAN		0<L≤4 ±0.1	pin pitch ±0.2	UNIT: MM		BOBBIN MATERIAL: PHENOLIC	UL REC. UL 94V-0
				4<L≤16 ±0.2		16<L≤63 ±0.3	SCALE:		PIN MATERIAL: CP WIRE
ZXE		智信电子塑胶有限公司		ZHI XIN ELECTRONICS PLASTIC CO., LTD.		DATE: 2012.09.12		DRAWING NO. ZX-13A	
TEL:0769-86389901-2		FAX:0769-86389903				REV. A01			