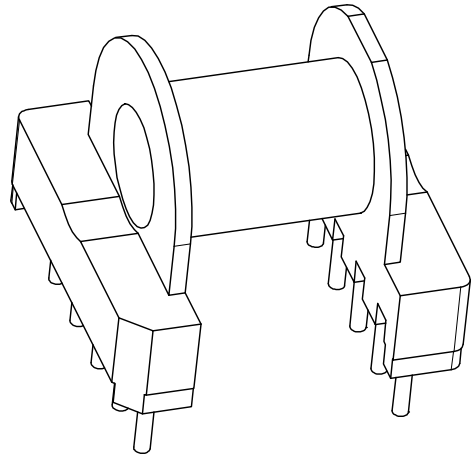
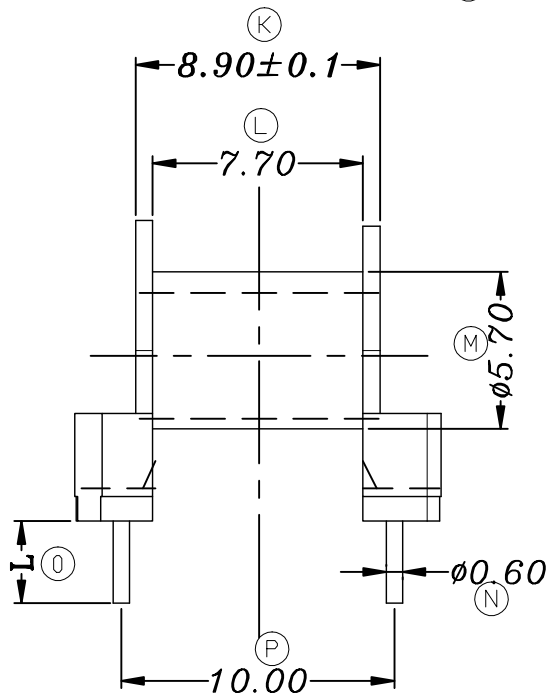
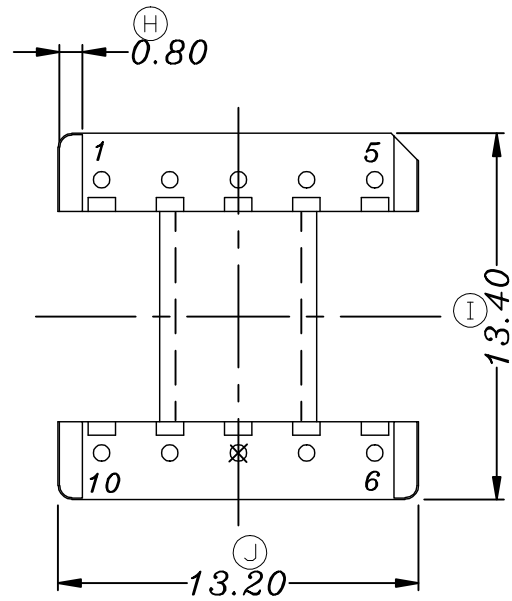
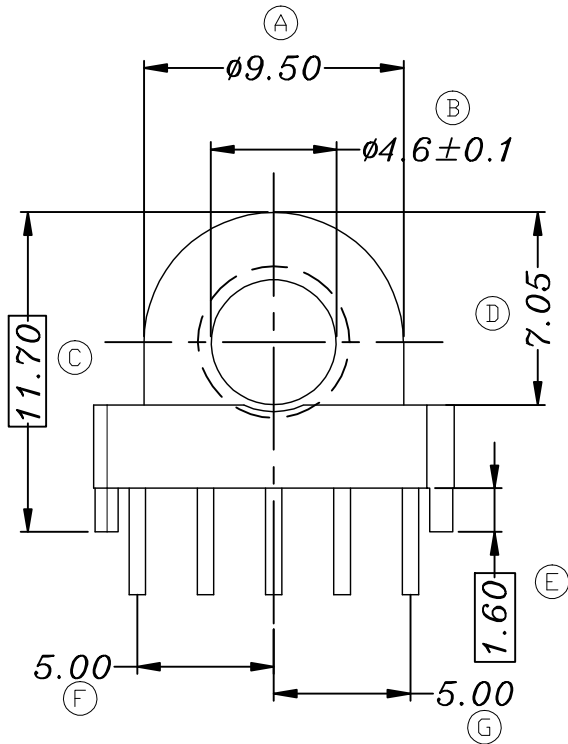

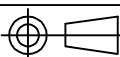


# ZX-13D3



REV.	REVISIONS REC.	DATE	REV.	REVISIONS REC.	DATE
1	C尺寸由11.00改为11.70, B尺寸由0.9改为1.6	18.06.20	4		
2	D尺寸由7.30改为7.05	18.06.20	5		
3			6		
DRAWN & DRAFTED BY		TOLERANCES		ANGLE:	
LIU WEI QIANG		0 < L ≤ 4 ± 0.1		± 1°	
CHECKED & APPROVED BY		4 < L ≤ 16 ± 0.2		UNIT:	
MA BU JIAN		16 < L ≤ 63 ± 0.3		MM	
		pin pitch ± 0.2		TITLE:	
				EP-13(5+5P)	
				BOBBIN MATERIAL:	
				PM-9630	
				UL REC.	
				UL 94V-0	
				PIN MATERIAL:	
				CP WIRE	
				PIN TENSION LOAD:	
				0.8KG MIN	
SCALE:		DATE:		DRAWING NO.	
		2018.06.20		ZX-13D3	
 <b>智信电子塑胶有限公司</b> ZHI XIN ELECTRONICS PLASTIC CO., LTD. TEL:0769-86389901-2 FAX:0769-86389903				REV. A01	