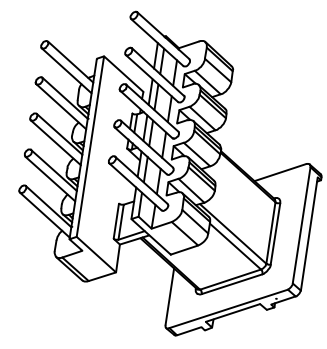
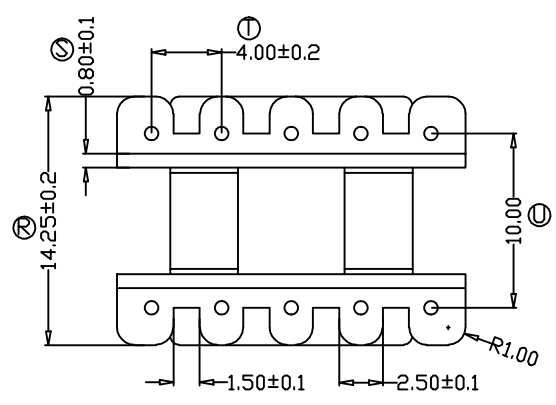
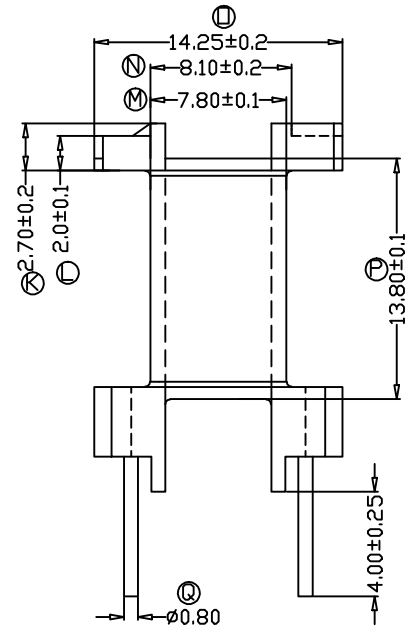
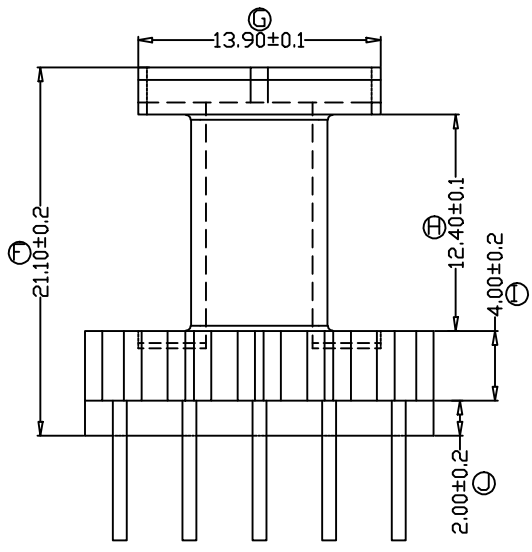
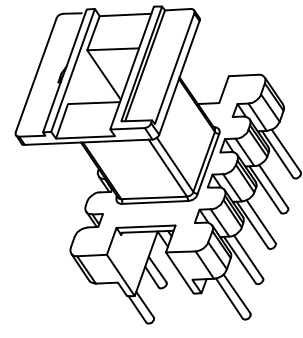
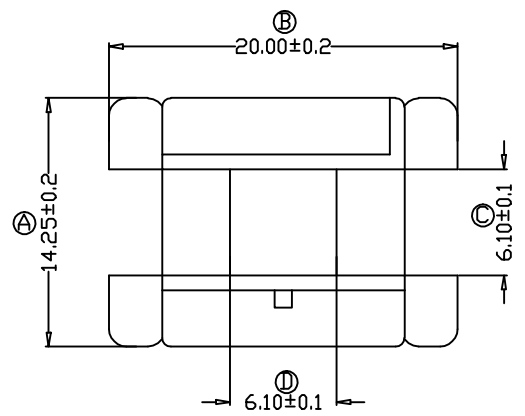


ZX-20AR



REV.	REVISIONS REC.		DATE	REV.	REVISIONS REC.		DATE
1				4			
2				5			
3				6			
DRAWN & DRAFTED BY		LIU WEI QIANG		TOLERANCES		ANGLE: ±1°	
CHECKED & APPROVED BY		MABUJIAN		pin pitch ±0.2		UNIT: MM	
				0<L≤4 ±0.1		TITLE: EF-20(5+5P)	
				4<L≤16 ±0.2		BOBBIN MATERIAL: PHENOLIC	
				16<L≤63 ±0.3		UL REC. UL 94V-0	
				SCALE:		PIN MATERIAL: CP WIRE	
				DATE: 2013.02.19		PIN TENSION LOAD: 1.0kg MIN.	
				DRAWING NO. ZX-20AR		REV. A01	



智信电子塑胶有限公司
ZHI XIN ELECTRONICS PLASTIC CO., LTD.
 TEL:0769-86389901-2 FAX:0769-86389903

