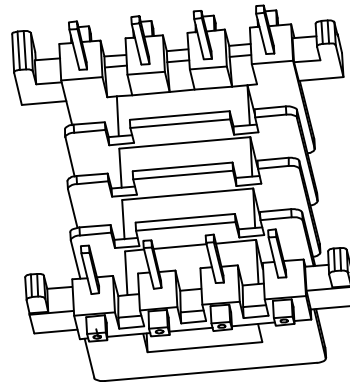
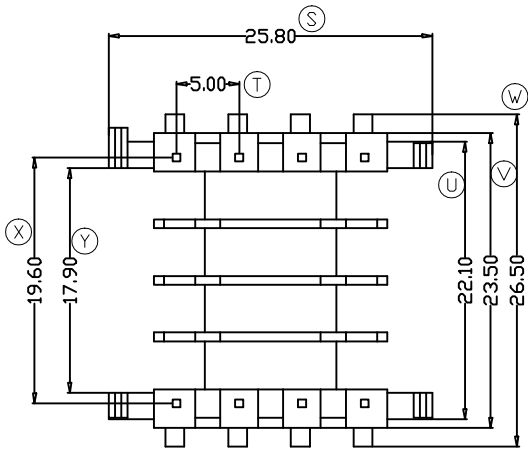
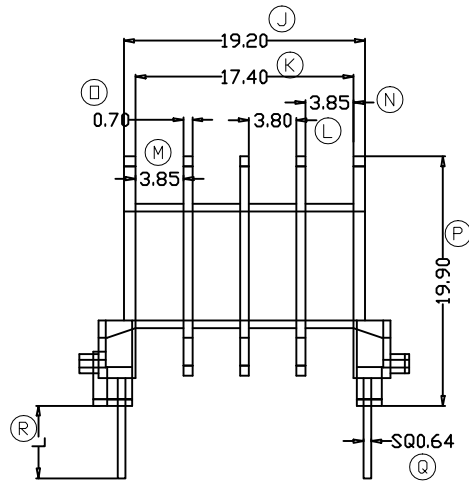
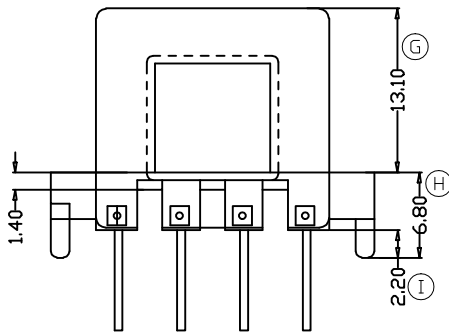
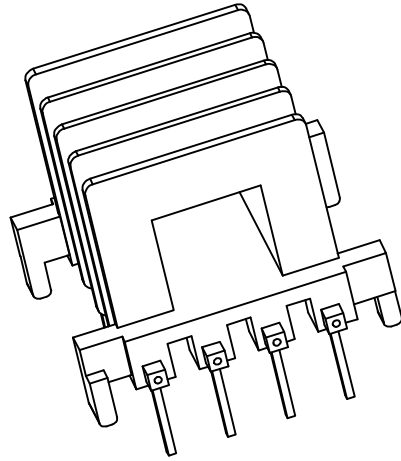
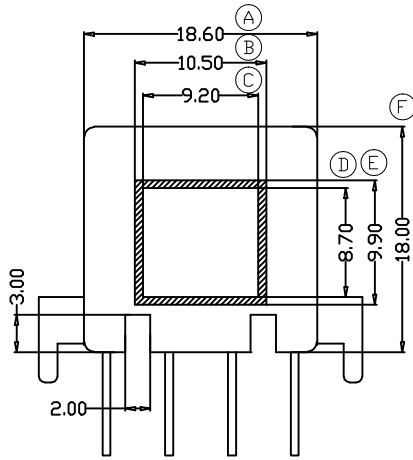


ZX-25AS2



REV.	REVISIONS REC.	DATE	REV.	REVISIONS REC.	DATE
1			4		
2			5		
3			6		

DRAWN & DRAFTED BY LIU WEI QIANG	TOLERANCES		ANGLE: ±1°	TITLE: EF-25(4+4P)4S		
	0<L≤4 ±0.1	pin pitch ±0.2		UNIT: MM	BOBBIN MATERIAL: PLASTIC	UL REC. UL 94V-0
CHECKED & APPROVED BY MA BU JIAN	4<L≤16 ±0.2			PIN MATERIAL: CP WIRE	PIN TENSION LOAD: 1.0KG MIN	
SCALE: 			DATE: 2014.03.05	DRAWING NO. ZX-25AS2	REV. A01	



智信电子塑胶有限公司
ZHI XIN ELECTRONICS PLASTIC CO., LTD.
 TEL:0769-86389901-2 FAX:0769-86389903