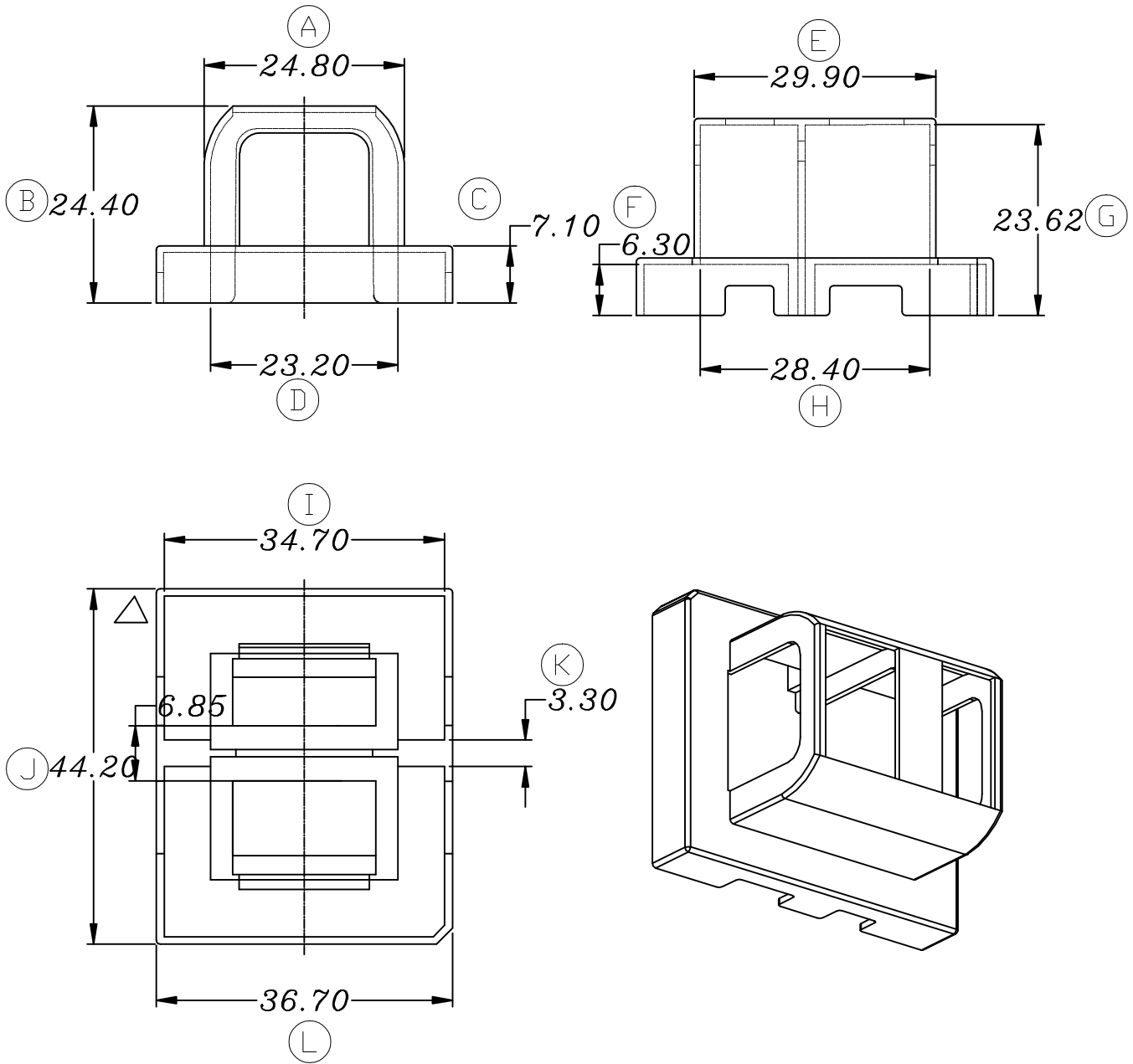


ZX-35H1



对应的ZX-35H

REV.	REVISIONS REC.	DATE	REV.	REVISIONS REC.	DATE
1	△ 此尺寸为增加后的尺寸		4		
2			5		
3			6		
DRAWN & DRAFTED BY LIU WEI QIANG		TOLERANCES		TITLE: CASE	
CHECKED & APPROVED BY MA BU JIAN		0 < L ≤ 4 ±0.1	pin pitch	UNIT: MM	
		4 < L ≤ 16 ±0.2	±0.2	BOBBIN MATERIAL: PHENOLIC	
		16 < L ≤ 63 ±0.3		UL REC. UL 94V-0	
智信电子塑胶有限公司 ZHI XIN ELECTRONICS PLASTIC CO., LTD. TEL:0769-86389901-2 FAX:0769-86389903		SCALE:		PIN MATERIAL: PIN TENSION LOAD:	
		DATE: 2008.05.26		DRAWING NO. ZX-35H1	
		REV. A02			