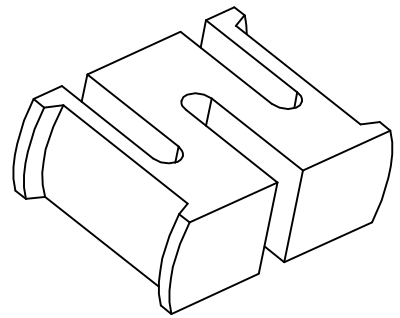
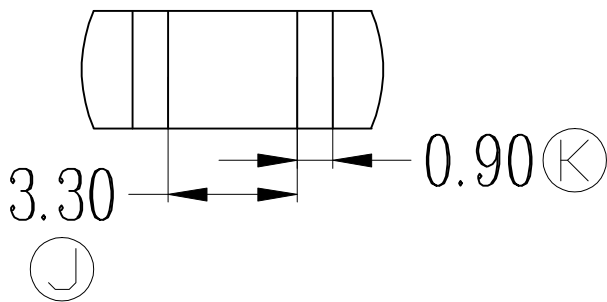
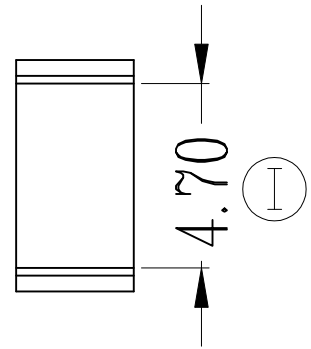
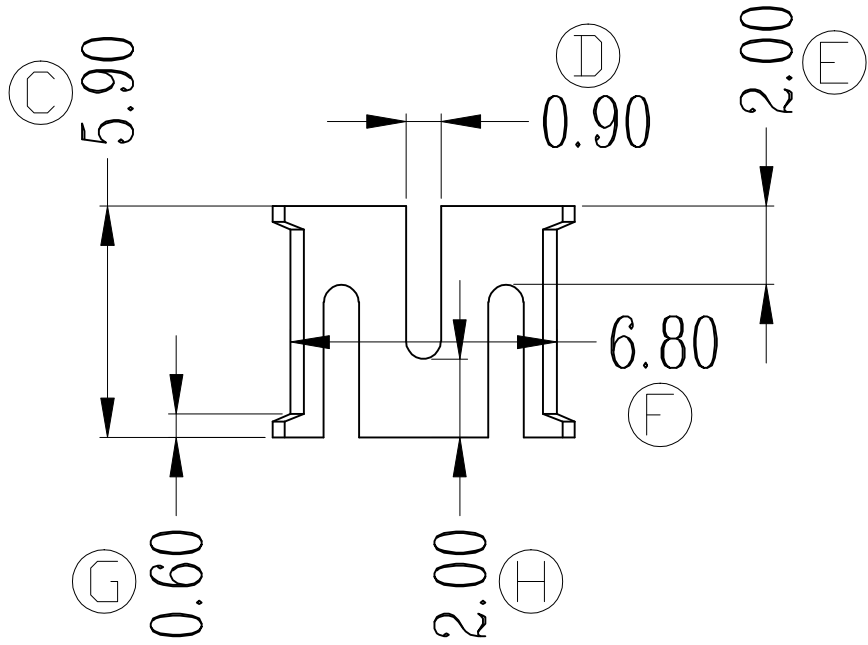
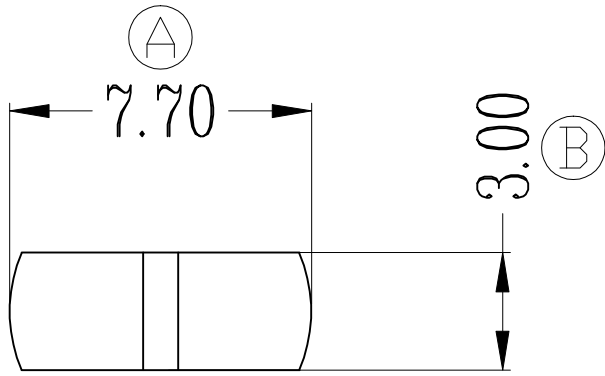


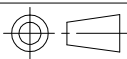
ZX-B117



REV.	REVISIONS	REC.	DATE	REV.	REVISIONS	REC.	DATE
1				4			
2				5			
3				6			
DRAWN & DRAFTED BY		LIU WEI QIANG		TOLERANCES		ANGLE: $\pm 1^\circ$	
CHECKED & APPROVED BY		ZHANG YONG		$0 < L \leq 4 \pm 0.1$ $4 < L \leq 16 \pm 0.2$ $16 < L \leq 63 \pm 0.3$		UNIT: MM TITLE: BASE	
				pin pitch ± 0.2		BOBBIN MATERIAL: PLASTIC	
				SCALE:		UL REC. UL 94V-0	
						PIN TENSION LOAD:	
				DATE: 2019.05.22		DRAWING NO. ZX-B117	
						REV. A01	



智信电子塑胶有限公司
ZHI XIN ELECTRONICS PLASTIC CO., LTD.
 TEL: 0769-86389901-2 FAX: 0769-86389903



DATE: 2019.05.22

DRAWING NO. ZX-B117

REV. A01