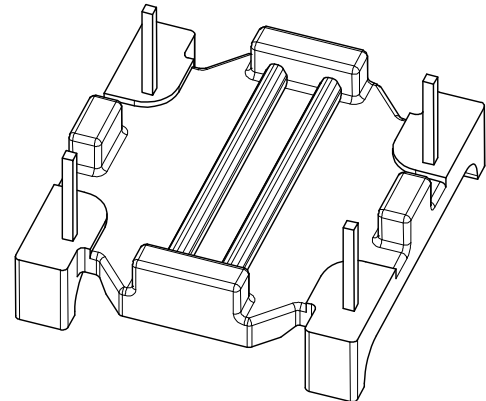
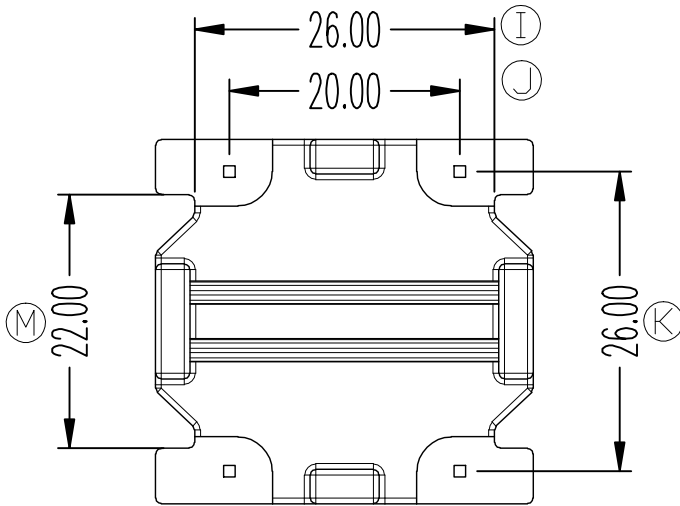
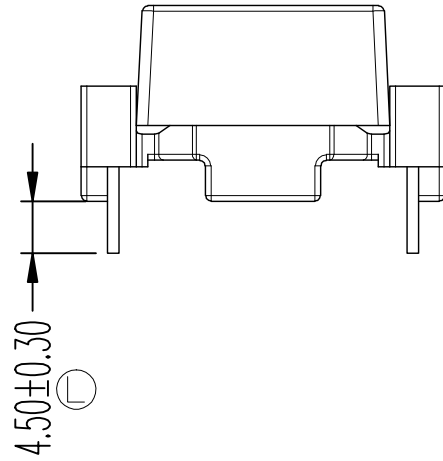
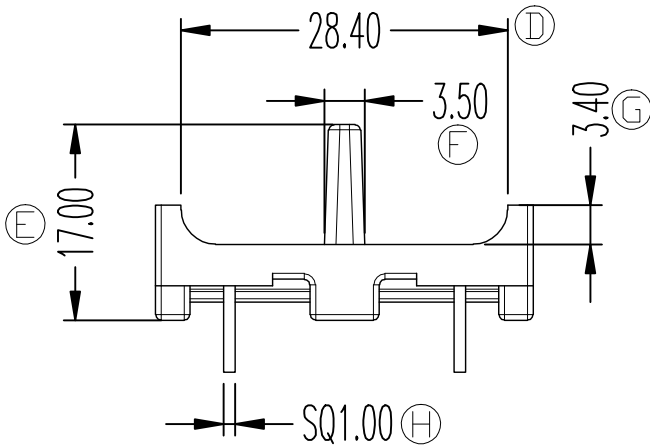
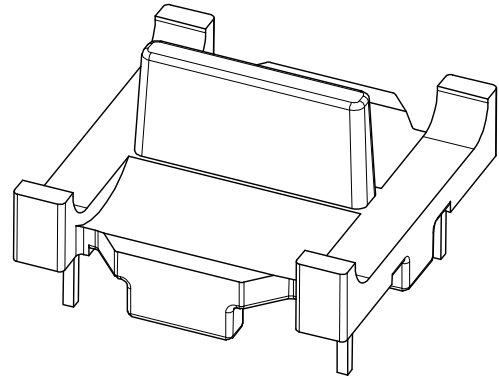
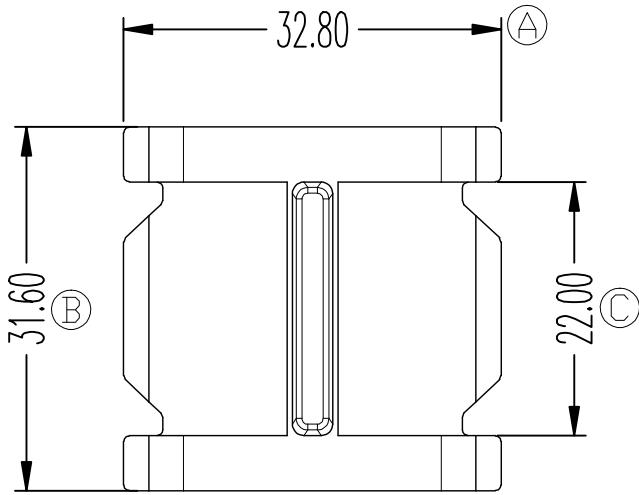


ZX-B119



REV.	REVISIONS	REC.	DATE	REV.	REVISIONS	REC.	DATE
1				4			
2				5			
3				6			
DRAWN & DRAFTED BY		LIU WEI QIANG		TOLERANCES		ANGLE: ±1°	
CHECKED & APPROVED BY		LIN JUN		0<L≤4 ±0.1		TITLE: BASE(4P)	
				4<L≤16 ±0.2		BOBBIN MATERIAL: PHENOLIC	
				16<L≤63 ±0.3		UL REC. UL 94V-0	
				pin pitch ±0.2		PIN MATERIAL: CP WIRE	
				UNIT: MM		PIN TENSION LOAD: 1.2KG MIN	
				SCALE:		DATE: 2019.10.21	
				DRAWING NO. ZX-B119		REV. A01	



智信电子塑胶有限公司

ZHI XIN ELECTRONICS PLASTIC CO., LTD.
TEL:0769-86389901-2 FAX:0769-86389903

