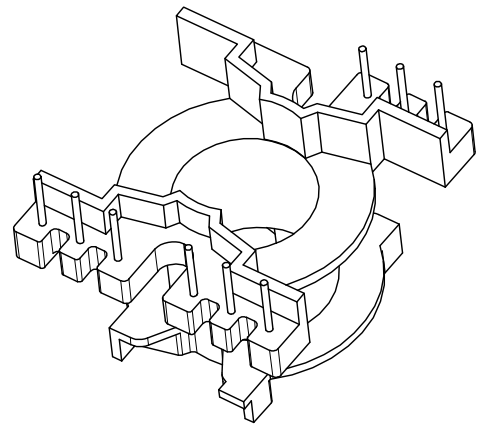
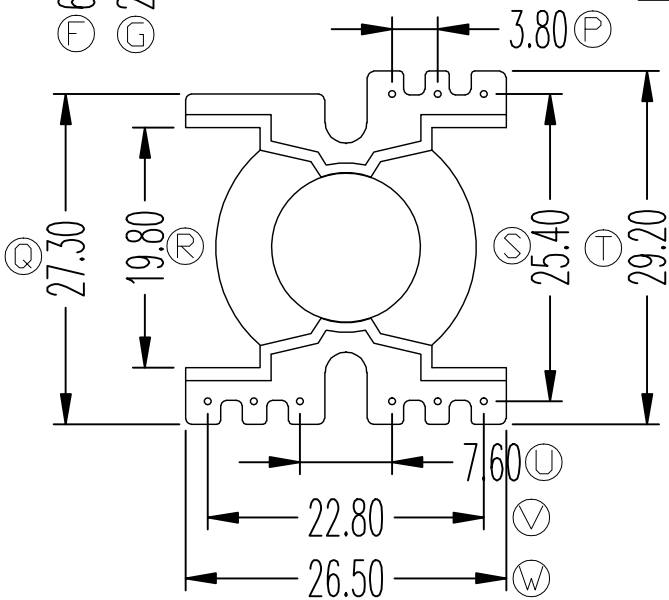
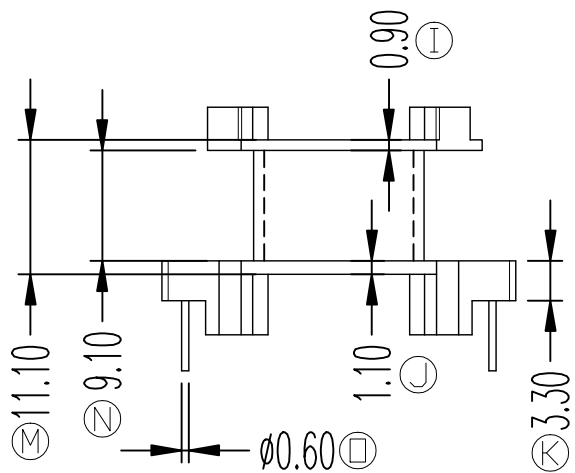
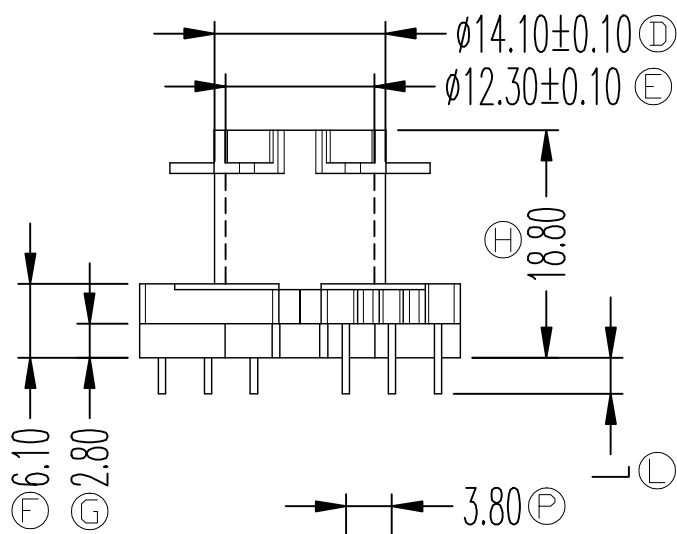
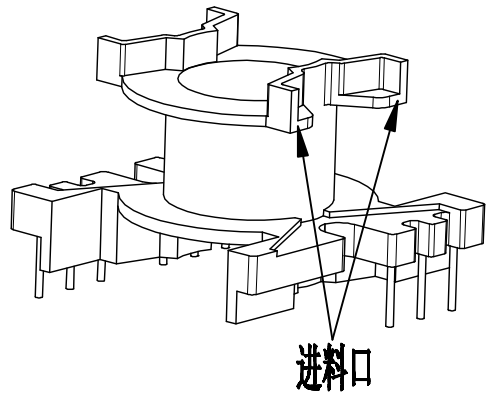
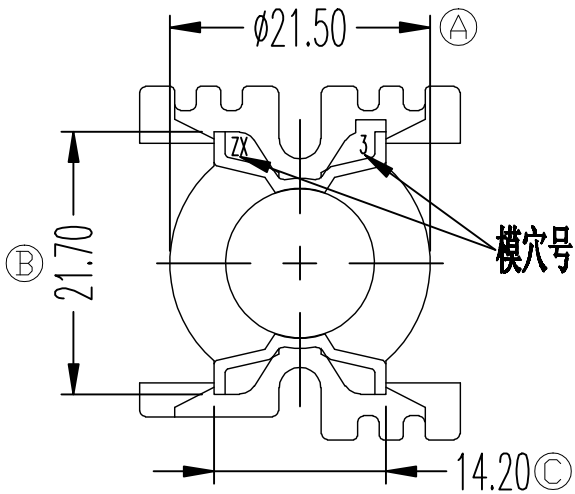


ZX-26V



REV.	REVISIONS REC.		DATE	REV.	REVISIONS REC.		DATE
1				4			
2				5			
3				6			
DRAWN & DRAFTED BY		LIU WEI QIANG		TOLERANCES		ANGLE: ±1°	
CHECKED & APPROVED BY		LIN JUN		0<L≤4 ±0.1		pin pitch	
				4<L≤16 ±0.2		UNIT: MM	
				16<L≤63 ±0.3		SCALE:	
智信电子塑胶有限公司 ZHI XIN ELECTRONICS PLASTIC CO., LTD. TEL:0769-86389901-2 FAX:0769-86389903				TITLE: PQ-2620(6+3P)		BOBBIN MATERIAL: PHENOLIC	
				PIN MATERIAL: CP WIRE		UL REC. UL 94V-0	
				DATE: 2019.09.30		PIN TENSION LOAD: 1.0KG MIN	
				DRAWING NO. ZX-26V		REV. A01	