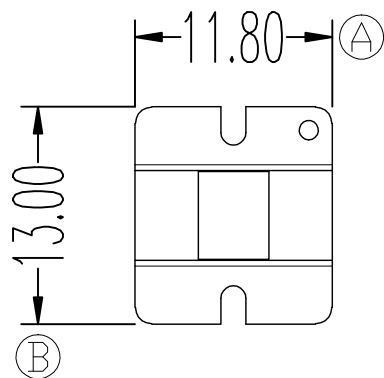
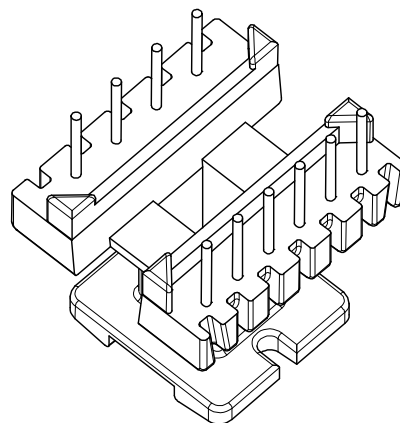
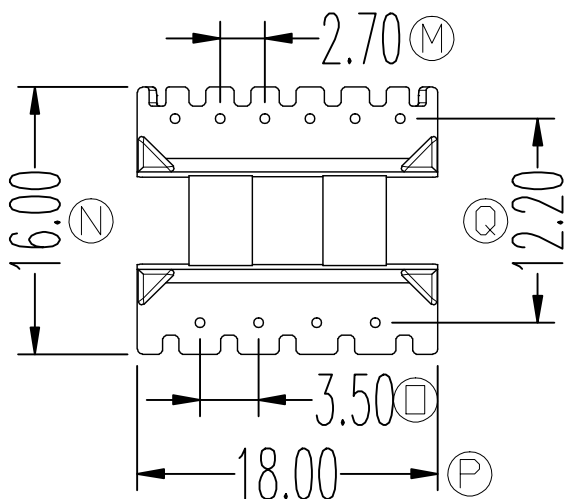
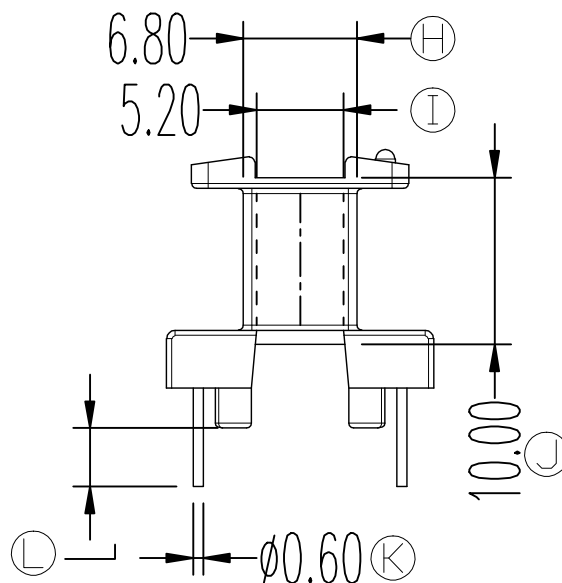
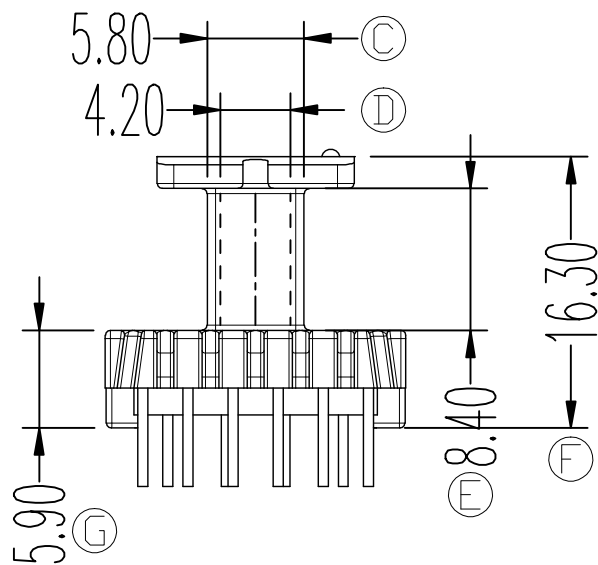
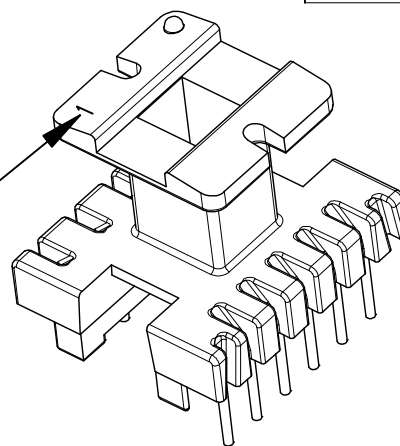


ZX-16CH



模穴号



REV.	REVISIONS	REC.	DATE	REV.	REVISIONS	REC.	DATE
1				4			
2				5			
3				6			

DRAWN & DRAFTED BY <b>LIU WEI QIANG</b>	TOLERANCES		ANGLE: ±1°	TITLE: <b>EE-16(6+4P)</b>			
	0<L≤4 ±0.1	pin pitch ±0.2		UNIT: MM	BOBBIN MATERIAL: PHENOLIC	UL REC. UL 94V-0	
CHECKED & APPROVED BY <b>ZHANG YONG</b>	4<L≤16 ±0.2			SCALE:	PIN MATERIAL: CP WIRE	PIN TENSION LOAD: 1.0KG MIN	
<b>智信电子塑胶有限公司</b> <b>ZHI XIN ELECTRONICS PLASTIC CO., LTD.</b> TEL:0769-86389901-2 FAX:0769-86389903			DATE: 2019.06.29	DRAWING NO. ZX-16CH	REV. A01		