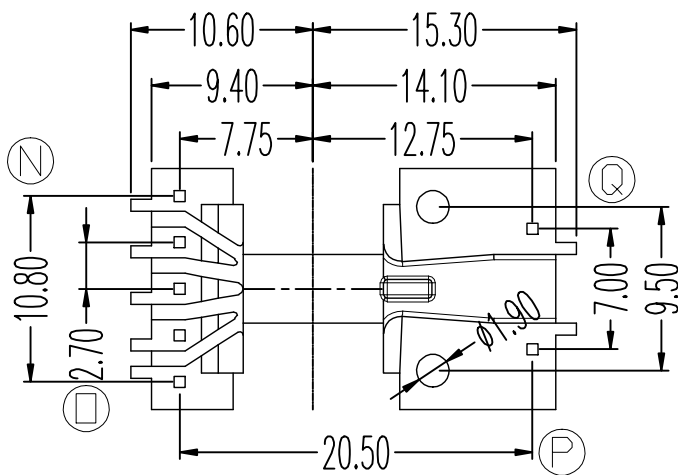
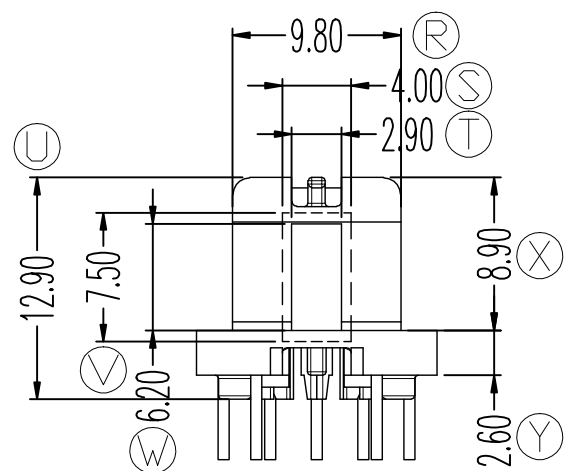
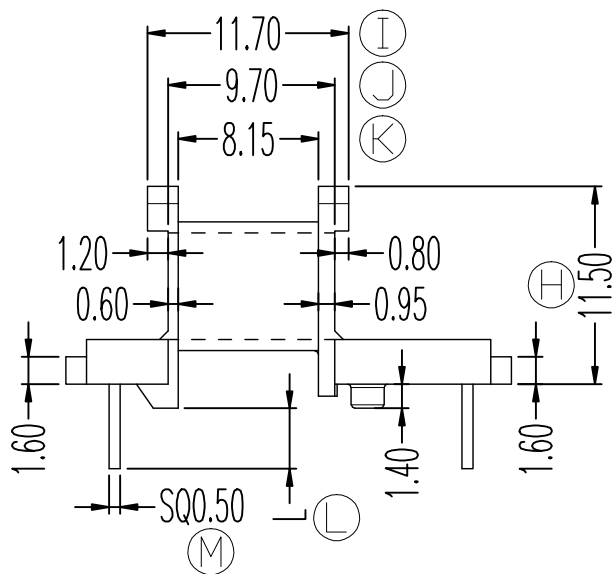
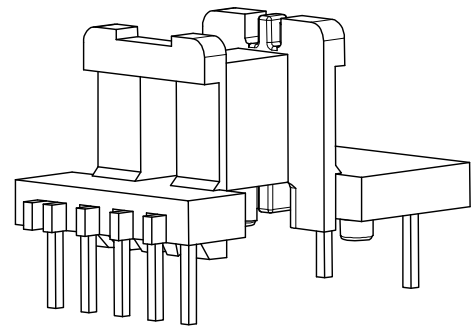
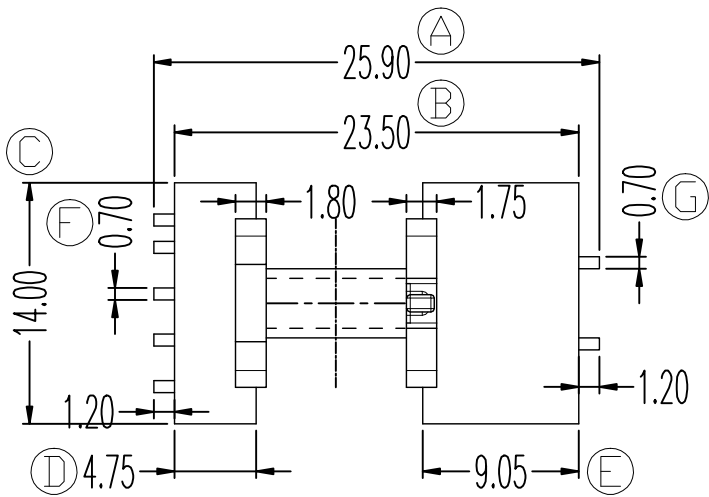
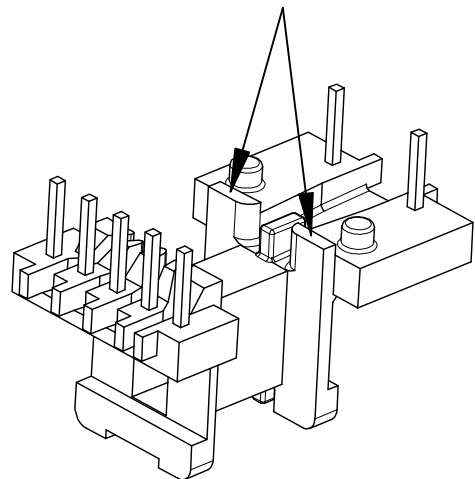


ZX-13AV



支点高0.70MM



REV.	REVISIONS	REC.	DATE	REV.	REVISIONS	REC.	DATE
1	PIN针由SQ0.64改为SQ0.50		2019.08.19	4			
2				5			
3				6			
DRAWN & DRAFTED BY		LIU WEI QIANG		TITLE:		EE-13(5+2P)	
CHECKED & APPROVED BY		ZHANG YONG		UNIT:		MM	
		TOLERANCES		BOBBIN MATERIAL:		PHENOLIC	
		0<L≤4 ±0.1		PIN MATERIAL:		CP WIRE	
		4<L≤16 ±0.2		DATE:		2019.08.19	
		16<L≤63 ±0.3		DRAWING NO.:		ZX-13AV	
		pin pitch ±0.2		REV.:		A02	
				SCALE:			
				UL REC.:		UL 94V-0	
				PIN TENSION LOAD:		1.0KG MIN	
<b>智信电子塑胶有限公司</b> ZHI XIN ELECTRONICS PLASTIC CO., LTD. TEL:0769-86389901-2 FAX:0769-86389903							