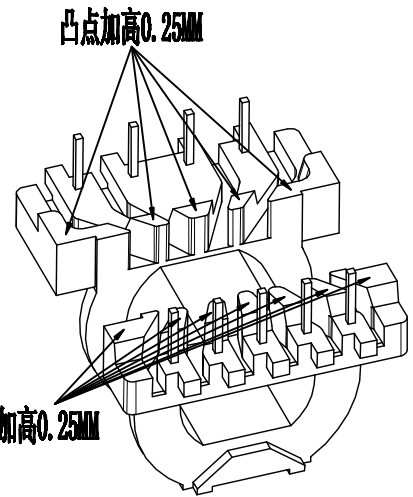
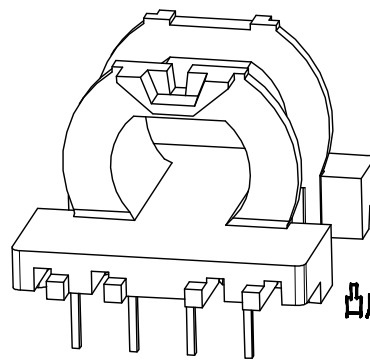
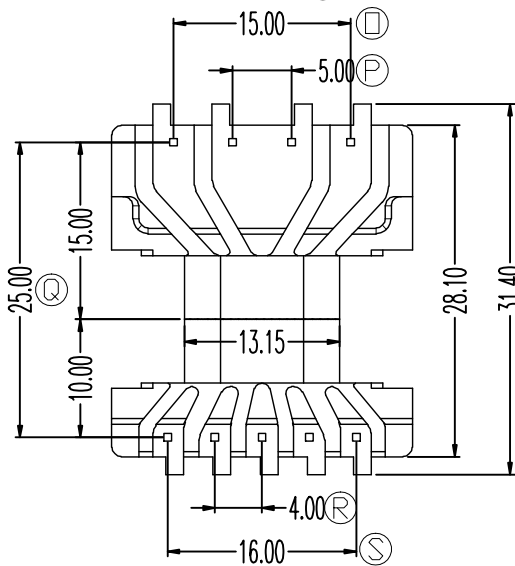
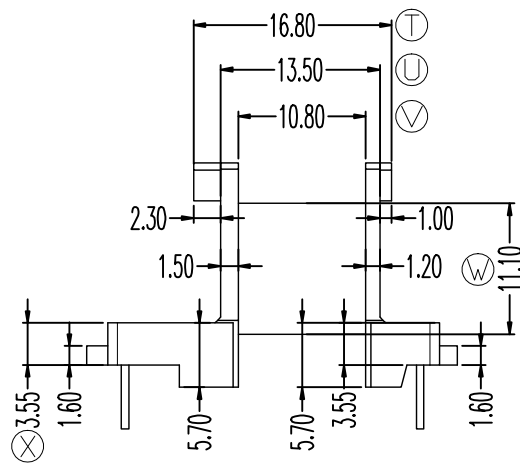
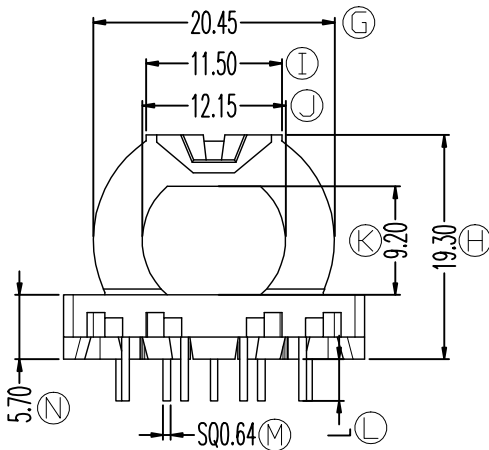
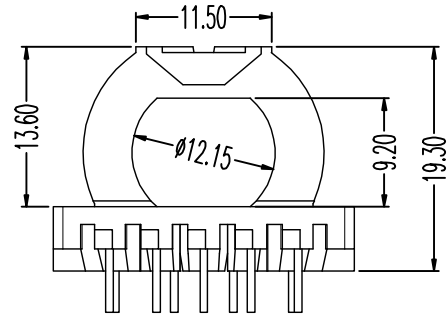
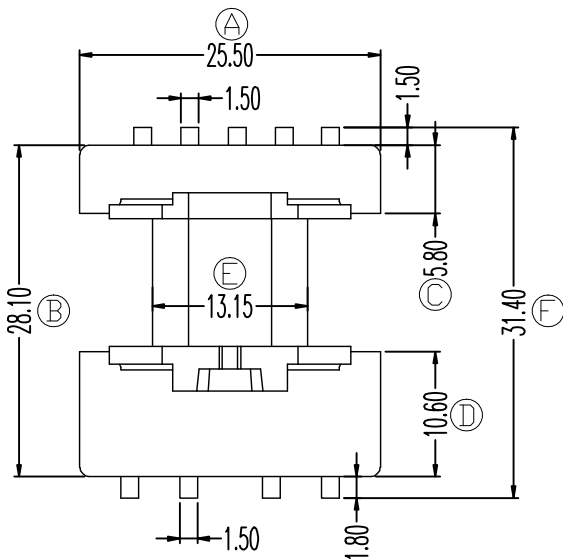


ZX-25B0



REV.	REVISIONS	REC.	DATE	REV.	REVISIONS	REC.	DATE
1	凸点加高0.25MM		2019.10.09	4			
2	⊕尺寸由19.05改为19.30, ⊖尺寸由5.45改为5.70		2019.10.09	5			
3				6			
DRAWN & DRAFTED BY		LIU WEI QIANG		TOLERANCES		ANGLE: ±1°	
CHECKED & APPROVED BY		ZHANG YONG		0<L≤4 ±0.1		UNIT: MM	
				4<L≤16 ±0.2		TITLE: EQ-25(5+4P)	
				16<L≤63 ±0.3		BOBBIN MATERIAL: PHENOLIC	
				pin pitch ±0.2		UL REC. UL 94V-0	
						PIN MATERIAL: CP WIRE	
						PIN TENSION LOAD: 1.0KG MIN	
						SCALE: DATE: 2019.10.09	
						DRAWING NO. ZX-25B0	
						REV. A02	