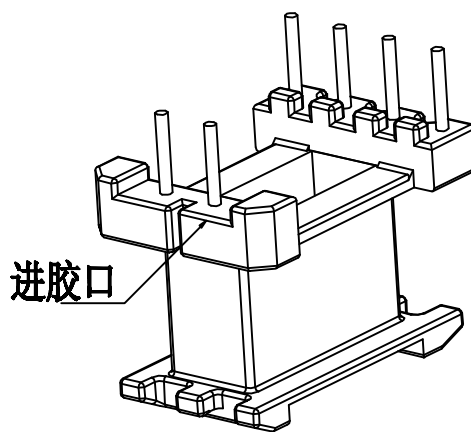
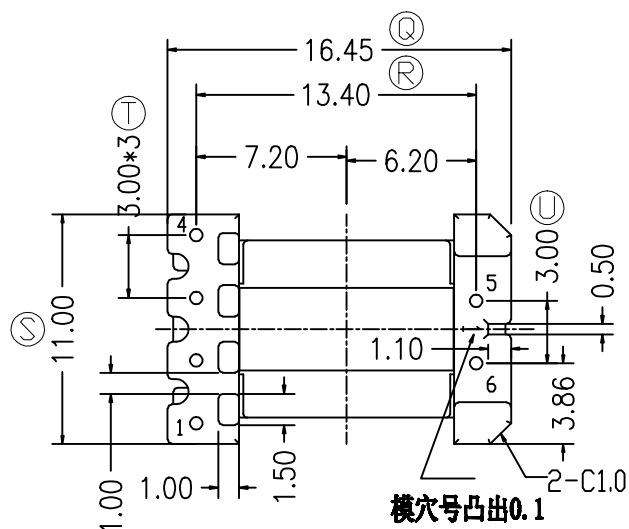
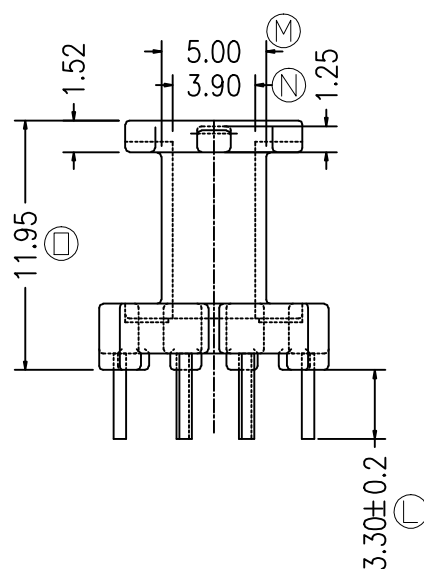
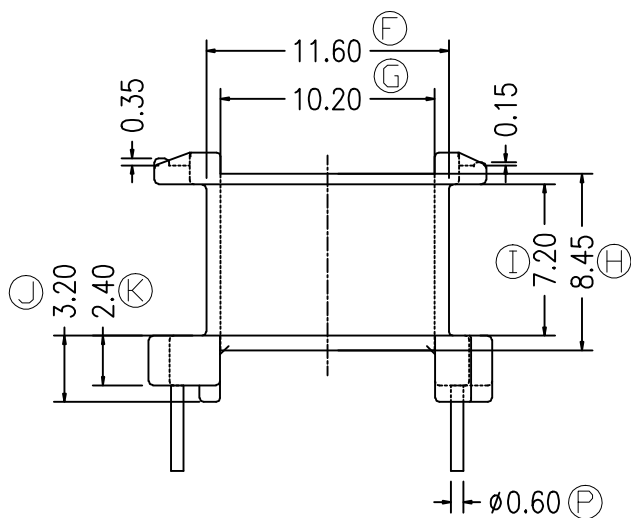
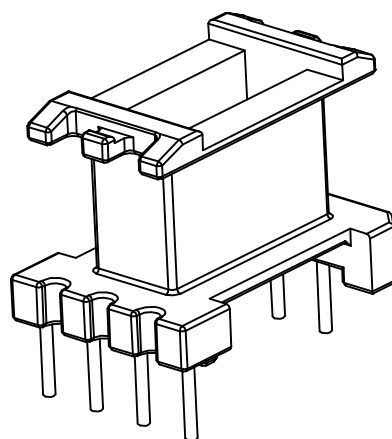
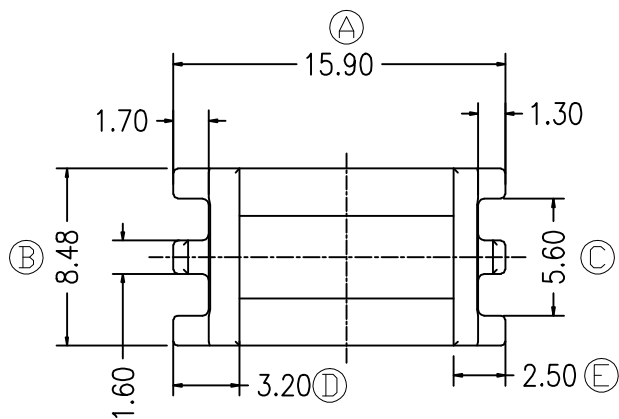


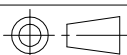
# ZX-13BE



REV.	REVISIONS REC.		DATE	REV.	REVISIONS REC.		DATE
1				4			
2				5			
3				6			
DRAWN & DRAFTED BY		LIU WEI QIANG		TOLERANCES		ANGLE: $\pm 1^\circ$	
CHECKED & APPROVED BY		LIN JUN		0 < L ≤ 4 ± 0.1		pin pitch ± 0.2	
				4 < L ≤ 16 ± 0.2		UNIT: MM	
				16 < L ≤ 63 ± 0.3		BOBBIN MATERIAL: PHENOLIC	
						UL REC. UL 94V-0	
						PIN MATERIAL: CP WIRE	
						PIN TENSION LOAD: 0.8KG MIN	
						SCALE:	
						DATE: 2019.11.11	
						DRAWING NO. ZX-13BE	
						REV. A01	



**智信电子塑胶有限公司**  
**ZHI XIN ELECTRONICS PLASTIC CO., LTD.**  
 TEL: 0769-86389901-2 FAX: 0769-86389903



DATE: 2019.11.11

DRAWING NO. ZX-13BE

REV. A01