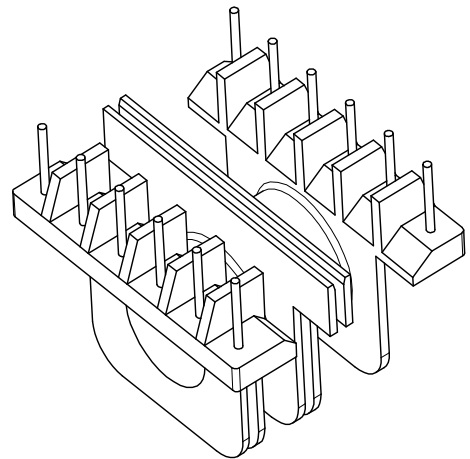
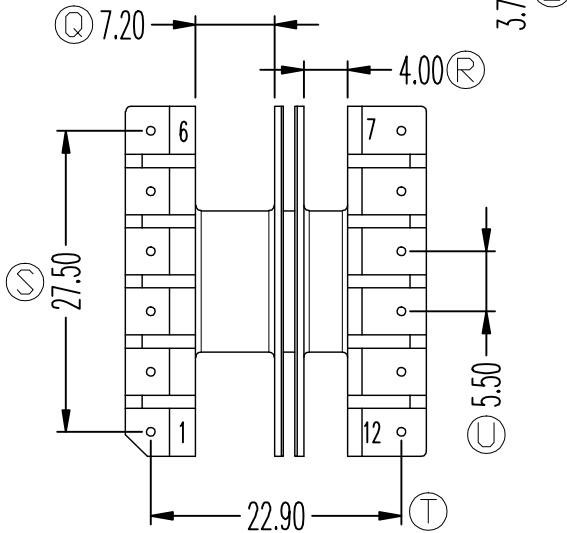
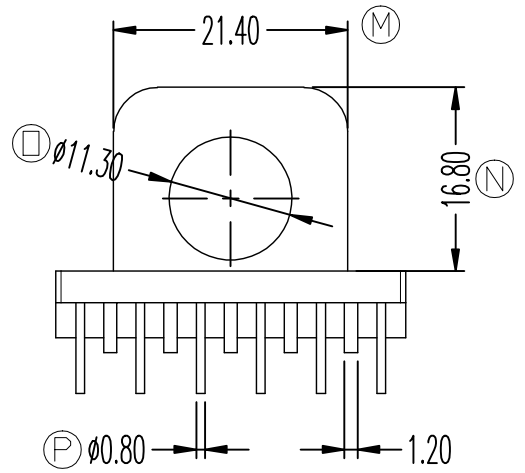
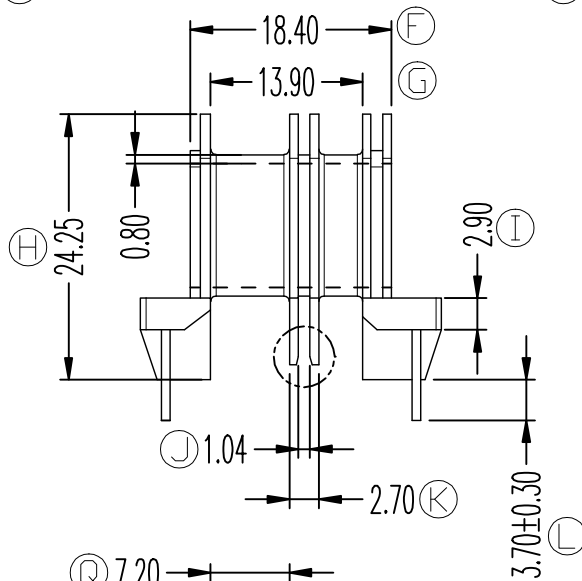
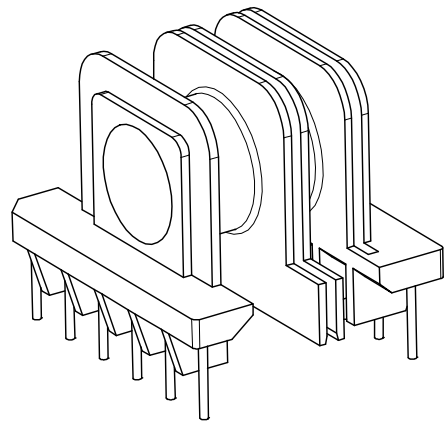
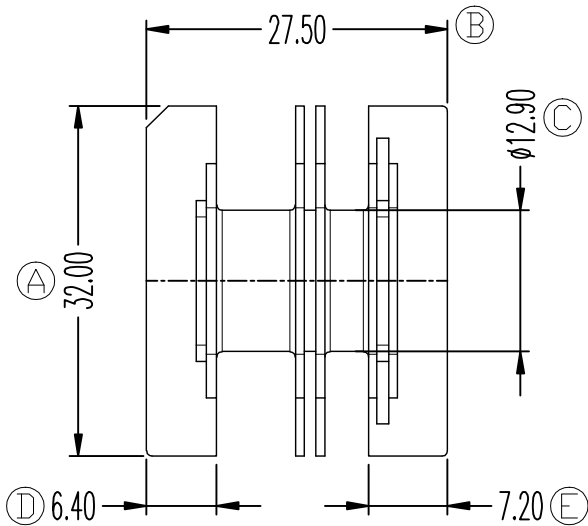


ZX-34J



REV.	REVISIONS REC.		DATE	REV.	REVISIONS REC.		DATE
1				4			
2				5			
3				6			
DRAWN & DRAFTED BY	LIU WEI QIANG		TOLERANCES	ANGLE:	TITLE: ER-34(6+6P)		
CHECKED & APPROVED BY	LIN JUN		0<L≤4 ±0.1 4<L≤16 ±0.2 16<L≤63 ±0.3	UNIT:	BOBBIN MATERIAL:	UL REC. UL 94V-0	
			pin pitch ±0.2	MM	PIN MATERIAL:	PIN TENSION LOAD: 1.0KG MIN	
				SCALE:	DATE:	DRAWING NO.	REV.
<b>智信电子塑胶有限公司</b> <b>ZHI XIN ELECTRONICS PLASTIC CO., LTD.</b> TEL:0769-86389901-2 FAX:0769-86389903					2019.12.23	ZX-34J	A01