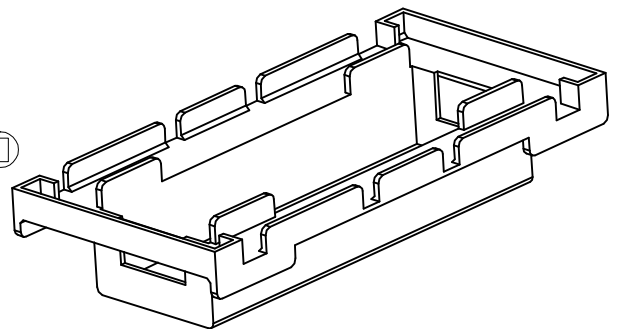
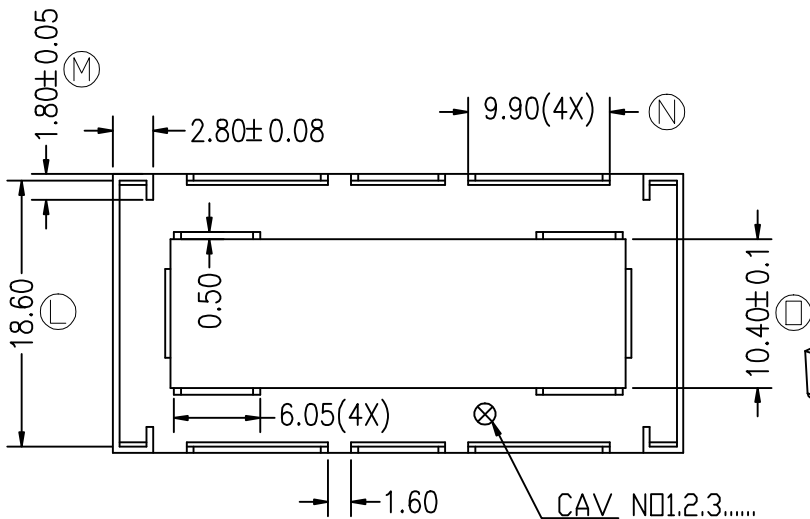
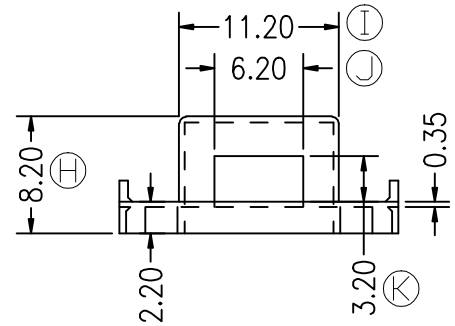
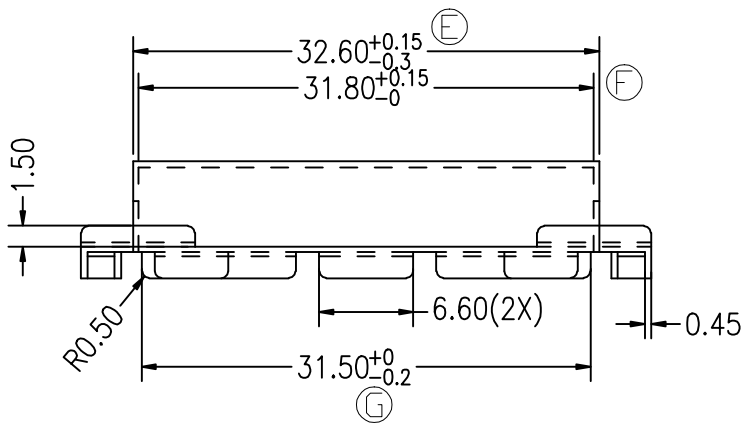
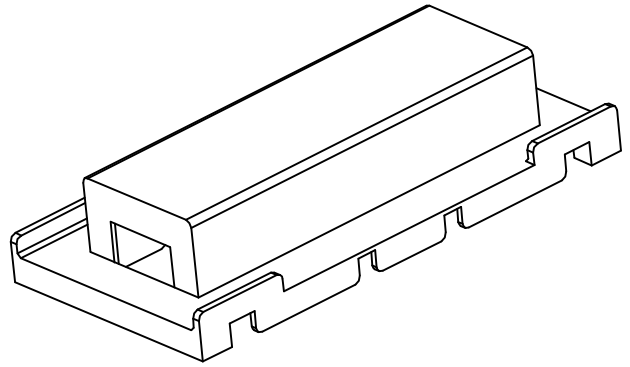
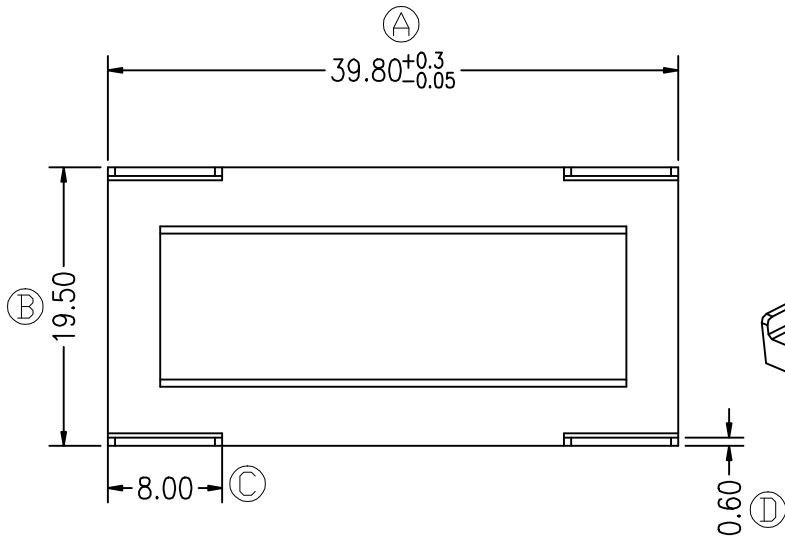


ZXS-16.5B1



REV.	REVISIONS	REC.	DATE	REV.	REVISIONS	REC.	DATE
1				4			
2				5			
3				6			
DRAWN & DRAFTED BY		LIU WEI QIANG		TOLERANCES		ANGLE: ±1°	
CHECKED & APPROVED BY		LIN JUN		0 < L ≤ 4 ±0.1		pin pitch	
				4 < L ≤ 16 ±0.2		UNIT: MM	
				16 < L ≤ 63 ±0.3		BOBBIN MATERIAL: PBT	
						UL REC. UL 94V-0	
						PIN TENSION LOAD:	
						SCALE:	
						PIN MATERIAL:	
						DATE: 2019.12.14	
						DRAWING NO. ZXS-16.5B1	
						REV. A01	

**ZXE** 智信电子塑胶有限公司  
**ZHI XIN ELECTRONICS PLASTIC CO., LTD.**  
 TEL: 0769-86389901-2 FAX: 0769-86389903