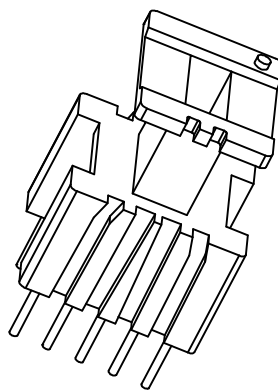
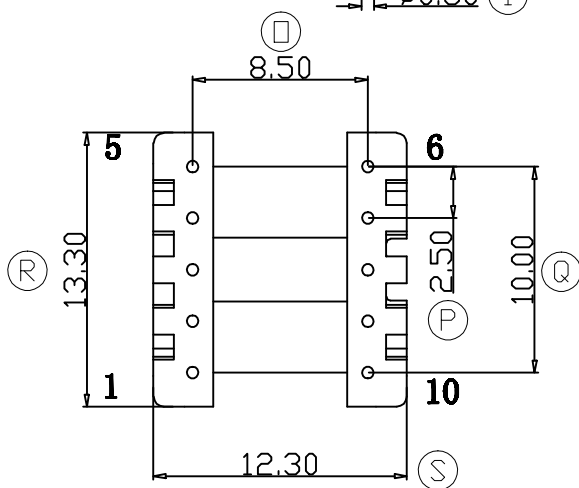
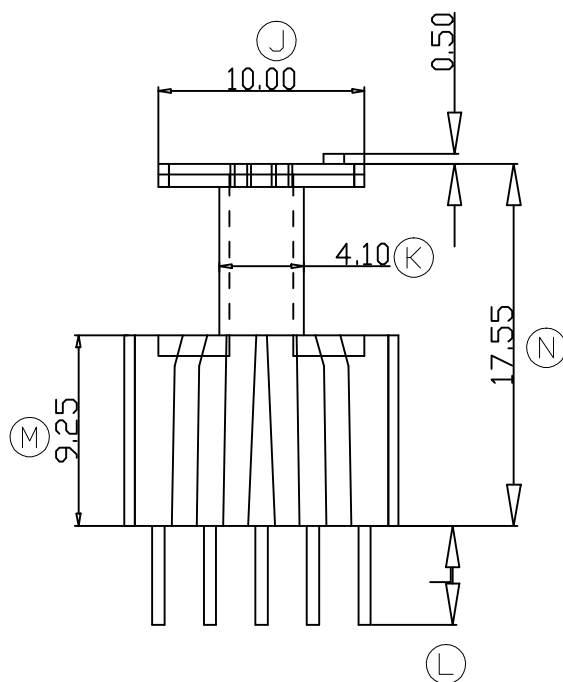
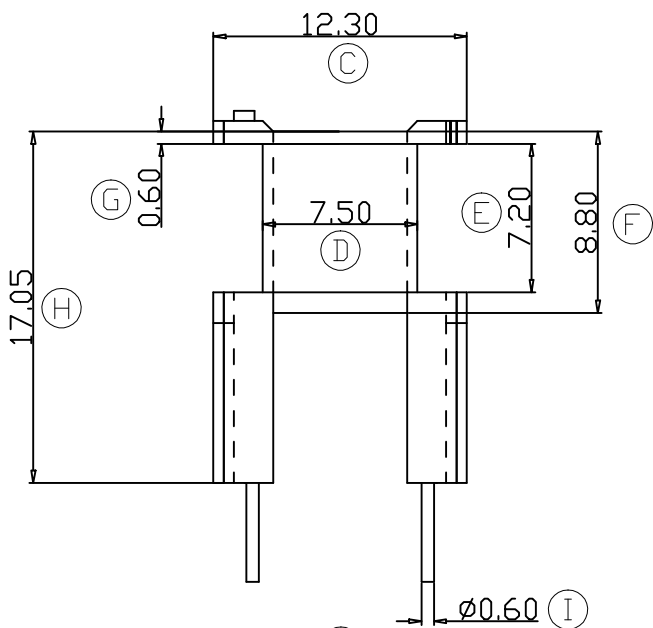
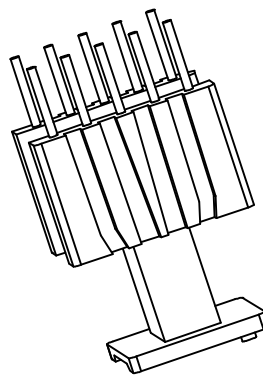
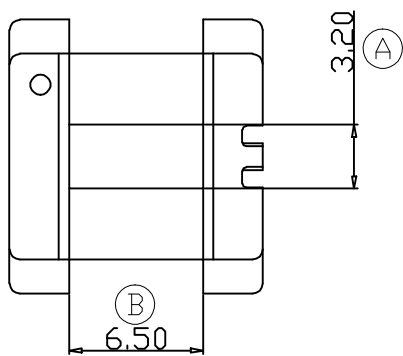


ZX-13BJ



REV.	REVISIONS	REC.	DATE	REV.	REVISIONS	REC.	DATE
1				4			
2				5			
3				6			

DRAWN & DRAFTED BY	LIU WEI QIANG	TOLERANCES		ANGLE:	TITLE: EE-13(5+5P)		
	CHECKED & APPROVED BY	LIN JUN	0<L≤4 ±0.1	pin pitch ±0.2	±1°	BOBBIN MATERIAL:	UL REC. UL 94V-0
4<L≤16 ±0.2			MM		PIN MATERIAL:	PIN TENSION LOAD: 1.0KG MIN.	
				SCALE:	CP WIRE	DATE: 2020.04.14	DRAWING NO. ZX-13BJ
		智信电子塑胶有限公司 ZHI XIN ELECTRONICS PLASTIC CO., LTD. TEL:0769-86389901-2 FAX:0769-86389903				REV. A01	