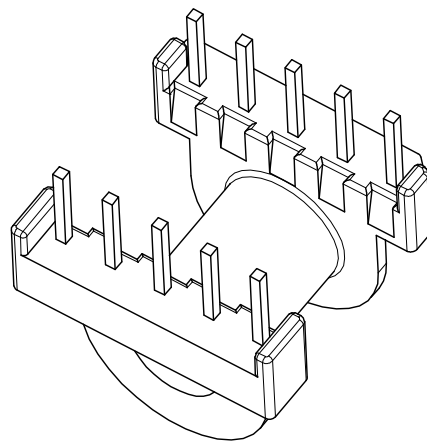
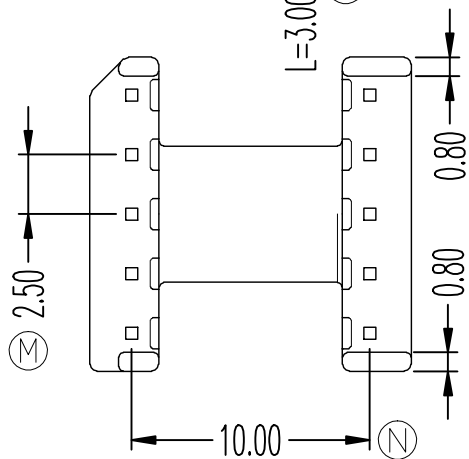
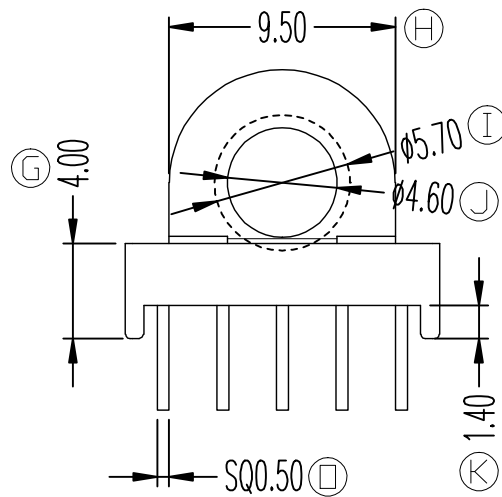
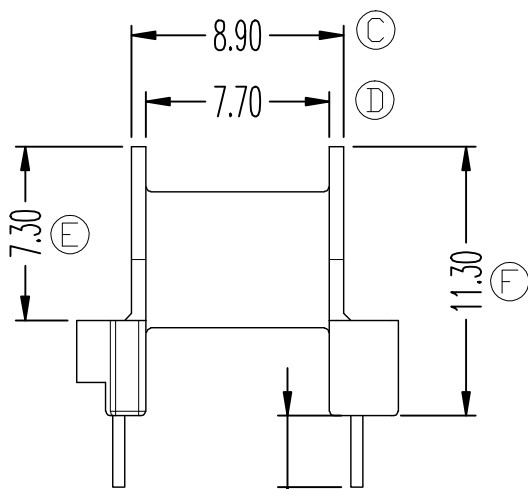
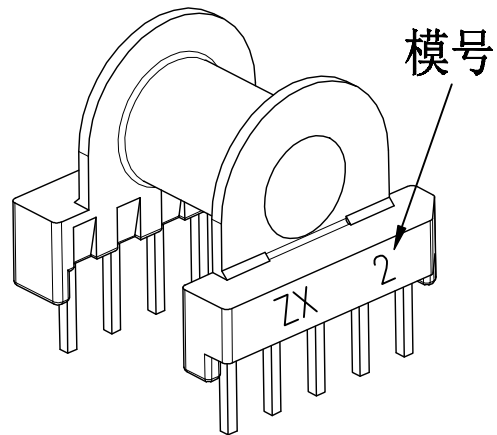
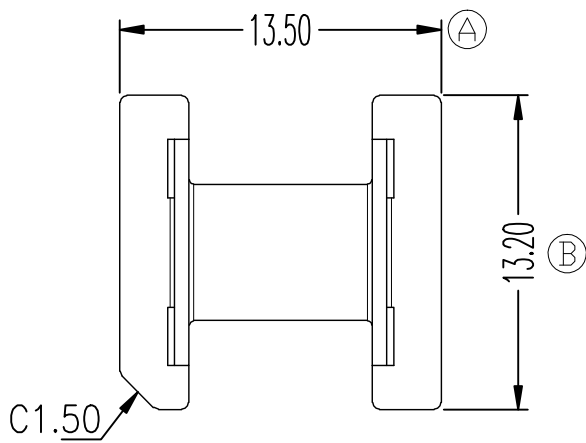


ZX-13BK



REV.	REVISIONS	REC.	DATE	REV.	REVISIONS	REC.	DATE
1				4			
2				5			
3				6			

DRAWN & DRAFTED BY LIU WEI QIANG	TOLERANCES 0$L \le 4$ ± 0.1 4$L \le 16$ ± 0.2 16$L \le 63$ ± 0.3	ANGLE: $\pm 1^\circ$	TITLE: EP-13(5+5P)		
		UNIT: MM	BOBBIN MATERIAL: PHENOLIC	UL REC. UL 94V-0	
CHECKED & APPROVED BY LIN JUN		SCALE:	PIN MATERIAL: CP WIRE	PIN TENSION LOAD: 1.0KG MIN	
智信电子塑胶有限公司 ZHI XIN ELECTRONICS PLASTIC CO., LTD. TEL:0769-86389901-2 FAX:0769-86389903			DATE: 2020.12.02	DRAWING NO. ZX-13BK	REV. A01