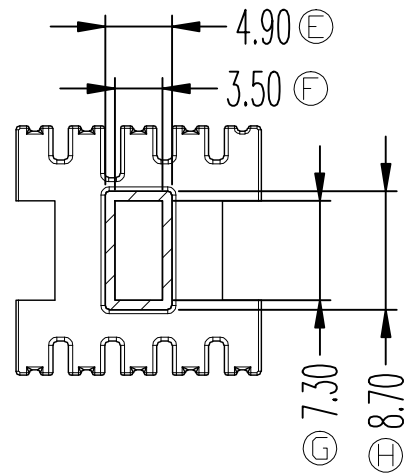
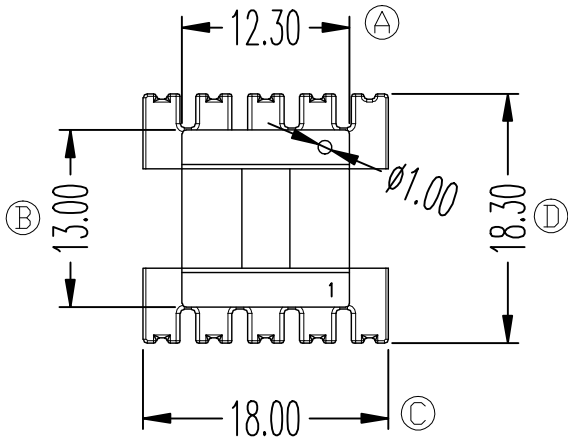
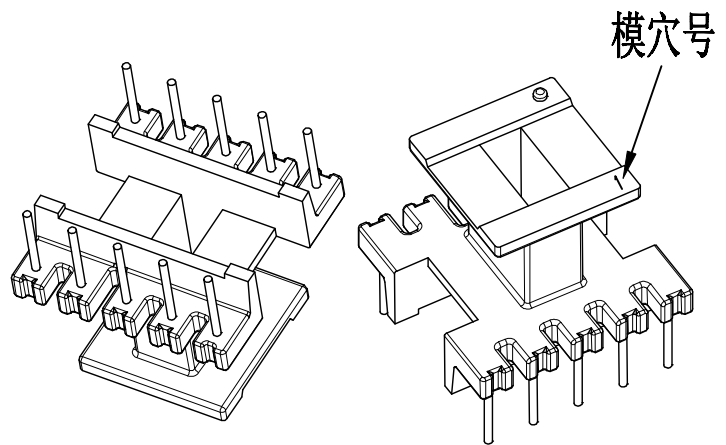
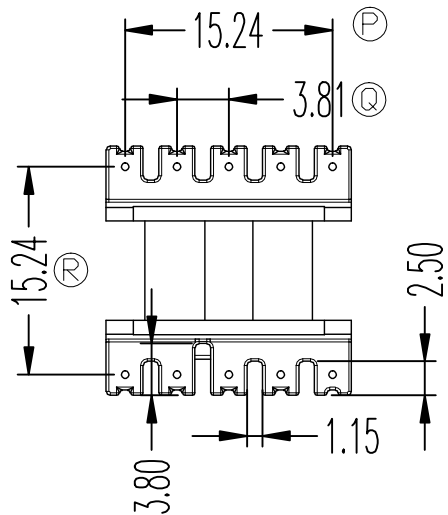
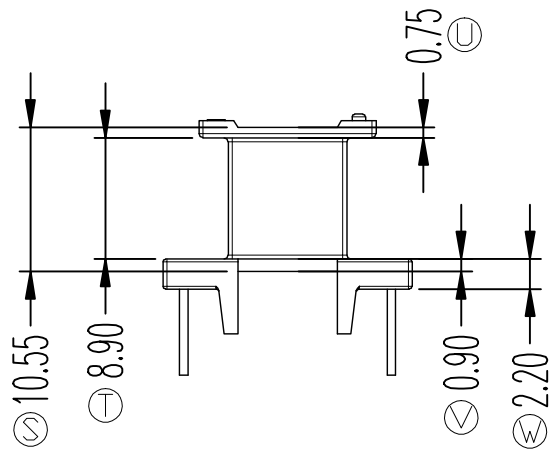
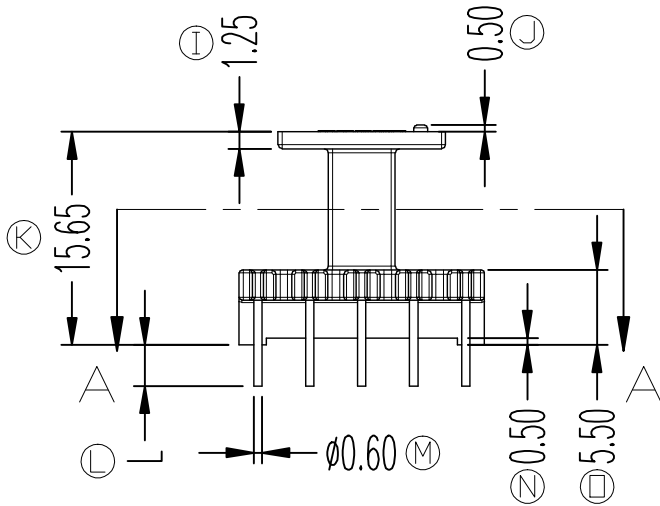


ZX-16DB



SECTION A-A



REV.	REVISIONS REC.		DATE	REV.	REVISIONS REC.		DATE		
1				4					
2				5					
3				6					
DRAWN & DRAFTED BY		LIU WEI QIANG		TOLERANCES		ANGLE: $\pm 1^\circ$		TITLE: EE-16(5+5P)	
CHECKED & APPROVED BY		LIN JUN		0 < L ≤ 4 ±0.1 4 < L ≤ 16 ±0.2 16 < L ≤ 63 ±0.3		pin pitch ±0.2		UNIT: MM	
								BOBBIN MATERIAL: PHENOLIC	
								UL REC. UL 94V-0	
								PIN MATERIAL: CP WIRE	
								PIN TENSION LOAD: 1.0KG MIN	
								DATE: 2020.04.30	
								DRAWING NO. ZX-16DB	
								REV. A01	