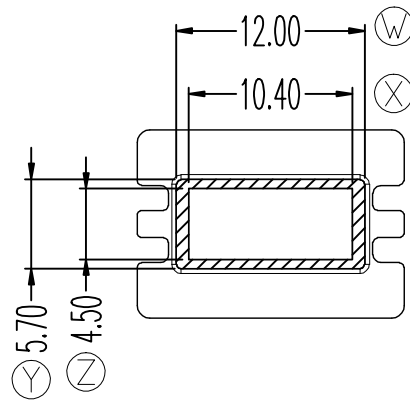
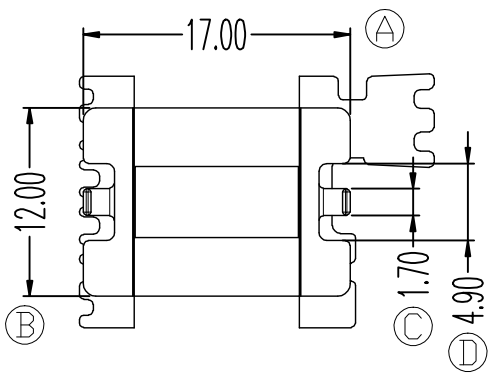
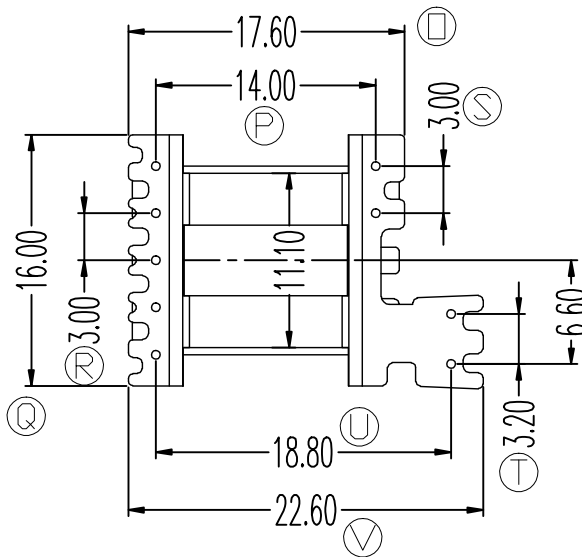
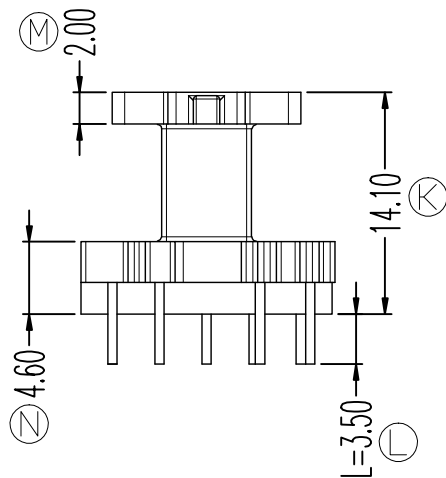
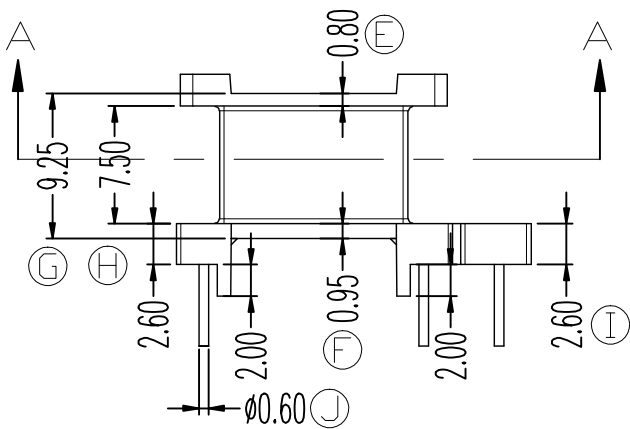


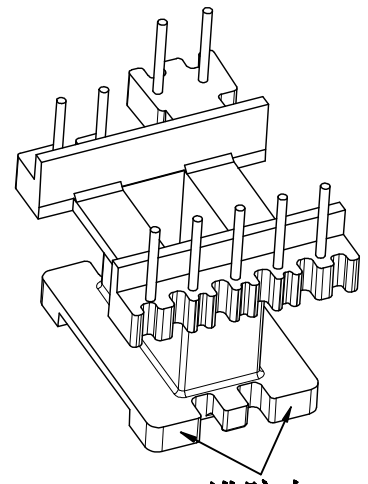
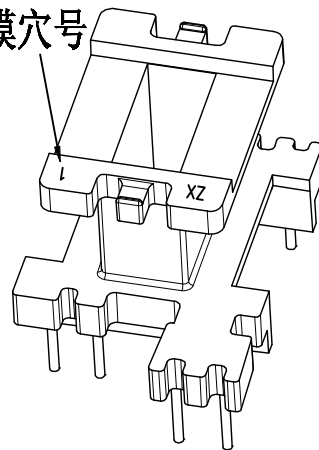
ZX-16DC



SECTION A-A



模穴号



进胶点

REV.	REVISIONS	REC.	DATE	REV.	REVISIONS	REC.	DATE
1				4			
2				5			
3				6			
DRAWN & DRAFTED BY		LIU WEI QIANG		TOLERANCES		ANGLE: $\pm 1^\circ$	
CHECKED & APPROVED BY		LIN JUN		0 < L ≤ 4 ±0.1		pin pitch	
				4 < L ≤ 16 ±0.2		UNIT: MM	
				16 < L ≤ 63 ±0.3		BOBBIN MATERIAL: PHENOLIC	
						UL REC. UL 94V-0	
						PIN MATERIAL: CP WIRE	
						PIN TENSION LOAD: 0.8KG MIN	
				SCALE:		DATE: 2020.07.08	
				DRAWING NO.		ZX-16DC	
				REV.		A01	



智信电子塑胶有限公司

ZHI XIN ELECTRONICS PLASTIC CO., LTD.
TEL: 0769-86389901-2 FAX: 0769-86389903