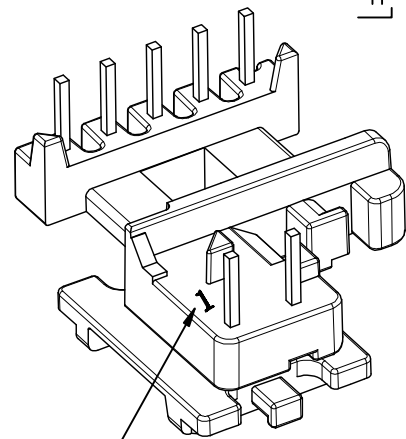
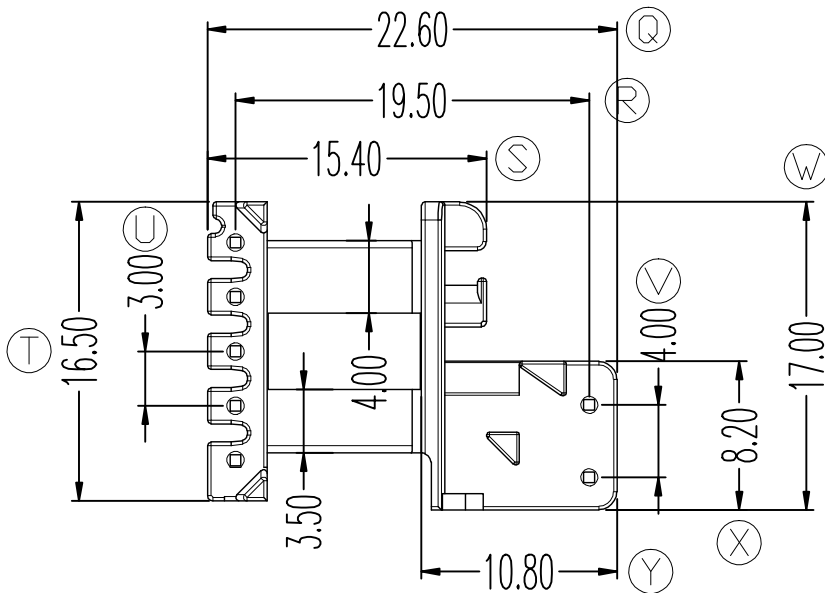
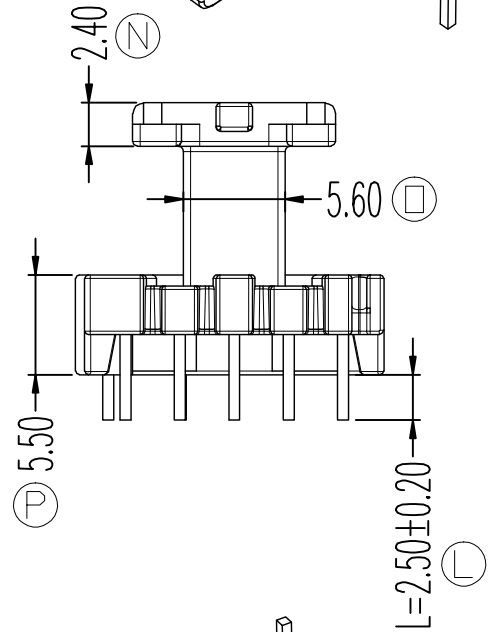
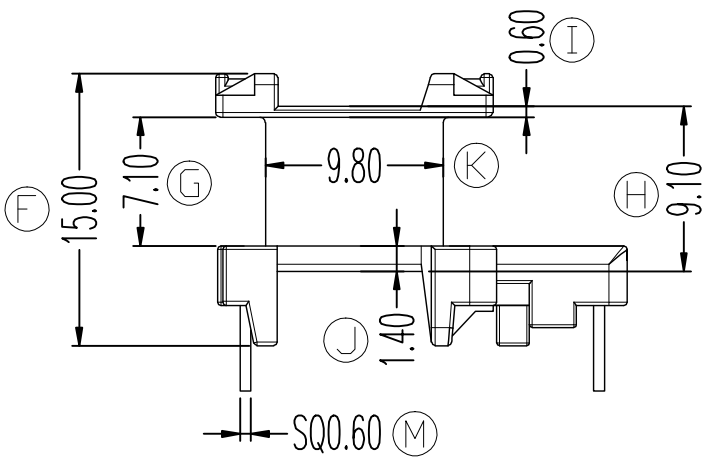
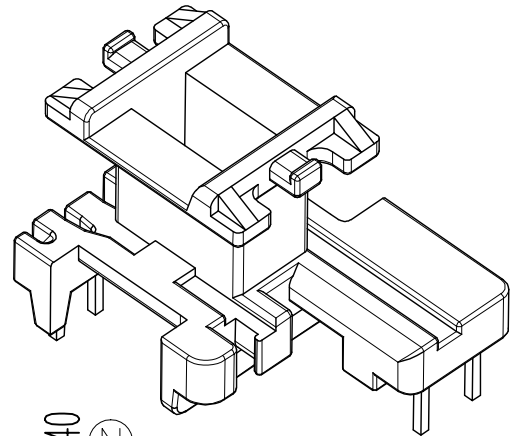
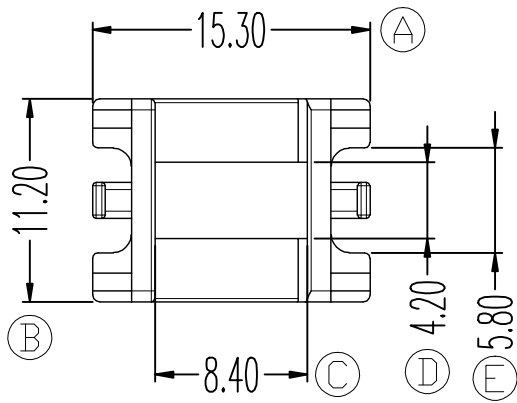


ZX-16DE



REV.	REVISIONS	REC.	DATE	REV.	REVISIONS	REC.	DATE
1				4			
2				5			
3				6			

DRAWN & DRAFTED BY LIU WEI QIANG	TOLERANCES 0<L≤4 ±0.1 4<L≤16 ±0.2 16<L≤63 ±0.3	ANGLE: ±1°	TITLE: EE-16(5+2P)		
		UNIT: MM	BOBBIN MATERIAL: PHENOLIC	UL REC. UL 94V-0	
CHECKED & APPROVED BY LIN JUN		SCALE:	PIN MATERIAL: CP WIRE	PIN TENSION LOAD: 1.0KG MIN	
智信电子塑胶有限公司 ZHI XIN ELECTRONICS PLASTIC CO., LTD. TEL:0769-86389901-2 FAX:0769-86389903			DATE: 2020.10.15	DRAWING NO. ZX-16DE	REV. A01