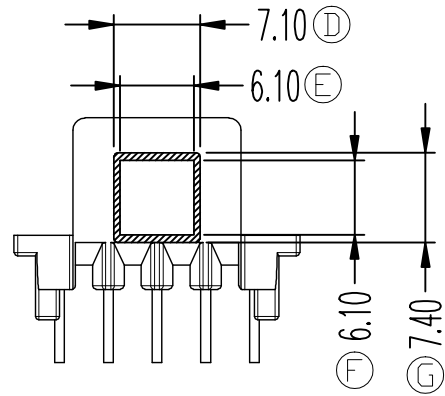
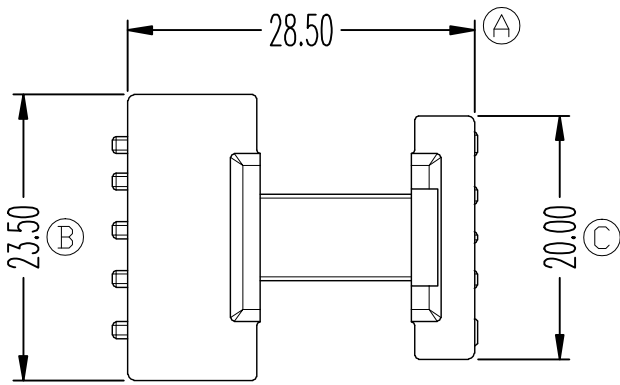
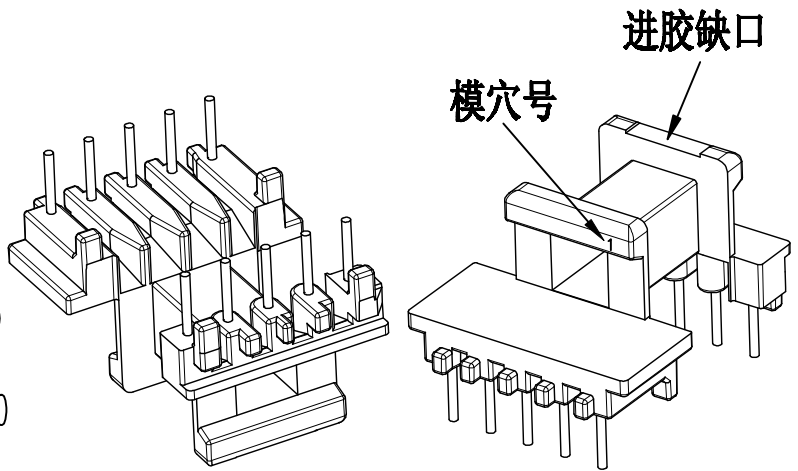
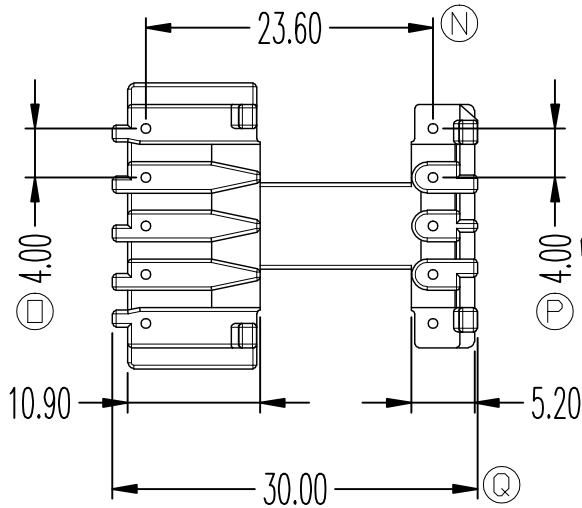
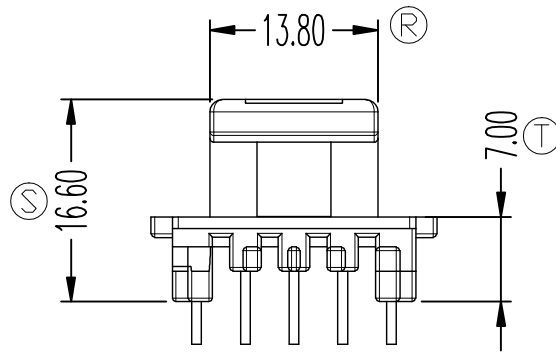
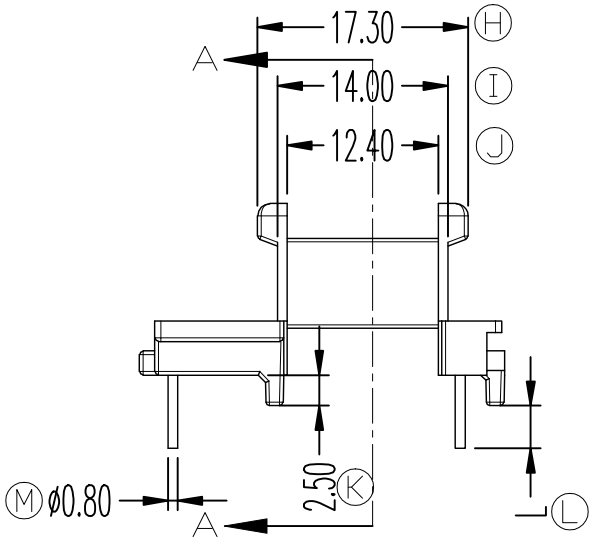


ZX-20S



SECTION A-A



| REV. | REVISIONS | REC. | DATE | REV. | REVISIONS | REC. | DATE |
|------|-----------|------|------|------|-----------|------|------|
| 1 | | | | 4 | | | |
| 2 | | | | 5 | | | |
| 3 | | | | 6 | | | |

| | | | | | | | |
|--|---|---|--------------------------|--------------------------------|-------------|------------------------------|---------------------|
| DRAWN & DRAFTED BY LIU WEI QIANG | TOLERANCES | | ANGLE: $\pm 1^\circ$ | TITLE: EF-20(5+5P) | | | |
| | CHECKED & APPROVED BY LIN JUN | $0 < L \leq 4 \pm 0.1$ $4 < L \leq 16 \pm 0.2$ $16 < L \leq 63 \pm 0.3$ | | pin pitch ± 0.2 | UNIT: MM | BOBBIN MATERIAL: PHENOLIC | UL REC. UL 94V-0 |
| SCALE: | | | PIN MATERIAL: CP WIRE | PIN TENSION LOAD: 1.0KG MIN | | DATE: 2020.09.02 | |
| 智信电子塑胶有限公司 ZHI XIN ELECTRONICS PLASTIC CO., LTD. TEL:0769-86389901-2 FAX:0769-86389903 | | | | DRAWING NO. ZX-20S | REV. A01 | | |