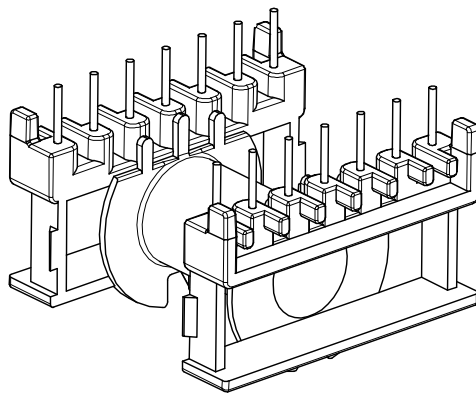
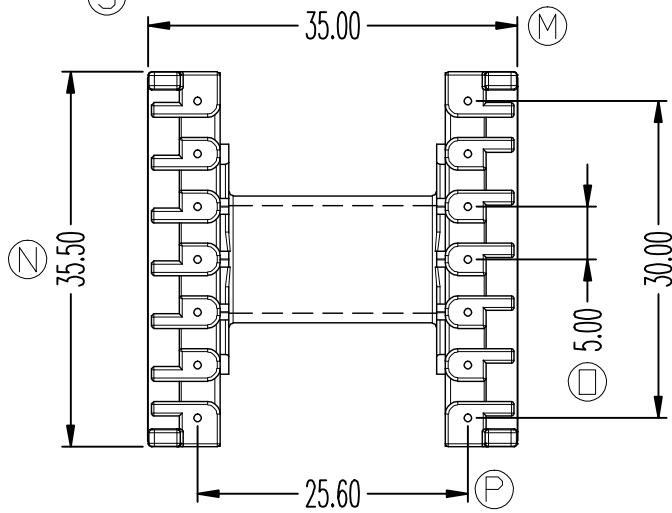
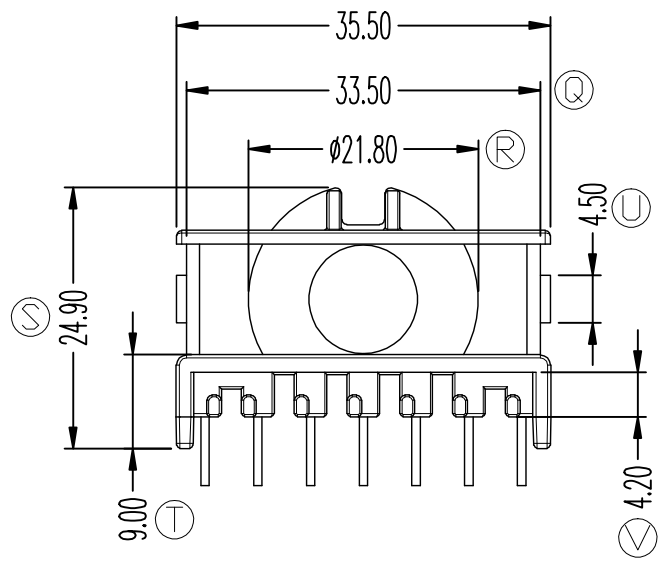
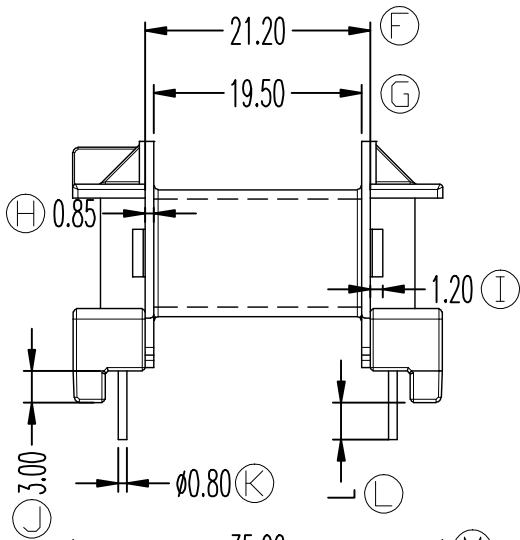
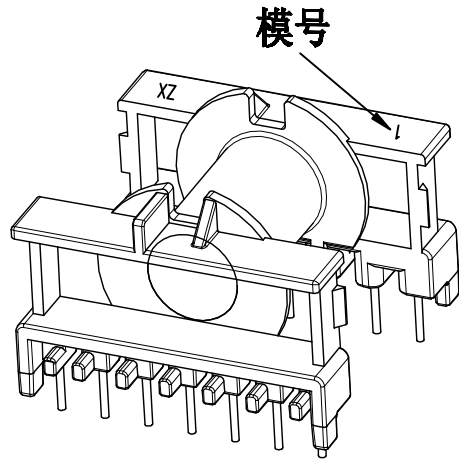
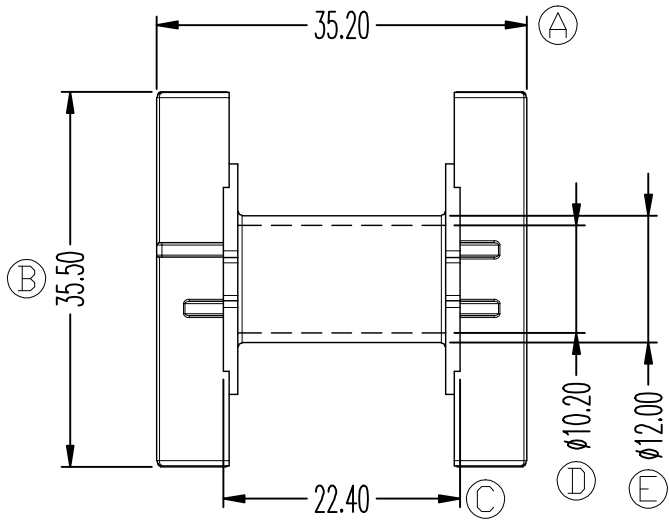


ZX-29E



REV.	REVISIONS	REC.	DATE	REV.	REVISIONS	REC.	DATE	
1				4				
2				5				
3				6				
DRAWN & DRAFTED BY		LIU WEI QIANG	TOLERANCES		ANGLE: $\pm 1^\circ$			TITLE: ETD-29(7+7P)
CHECKED & APPROVED BY		LIN JUN	0<L≤4 ±0.1		UNIT: MM	BOBBIN MATERIAL: PHENOLIC	UL REC. UL 94V-0	
			4<L≤16 ±0.2		SCALE:	PIN MATERIAL: CP WIRE	PIN TENSION LOAD: 1.2KG MIN	
			16<L≤63 ±0.3		DATE: 2018.03.29	DRAWING NO. ZX-29E	REV. A01	

**ZXE** 智信电子塑胶有限公司  
 ZHI XIN ELECTRONICS PLASTIC CO., LTD.  
 TEL:0769-86389901-2 FAX:0769-86389903