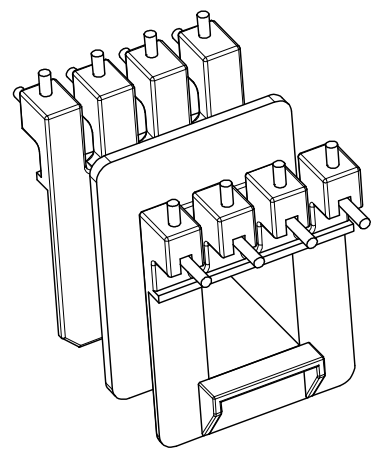
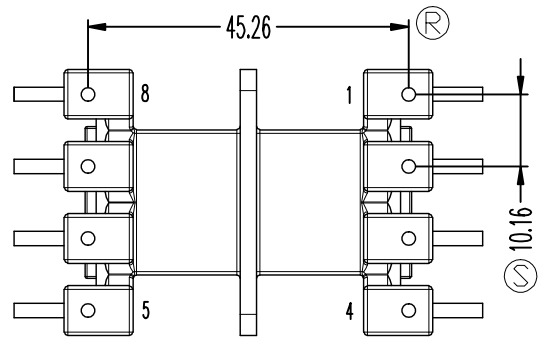
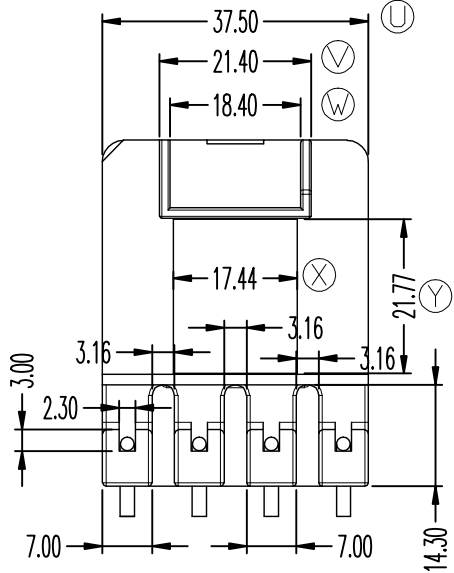
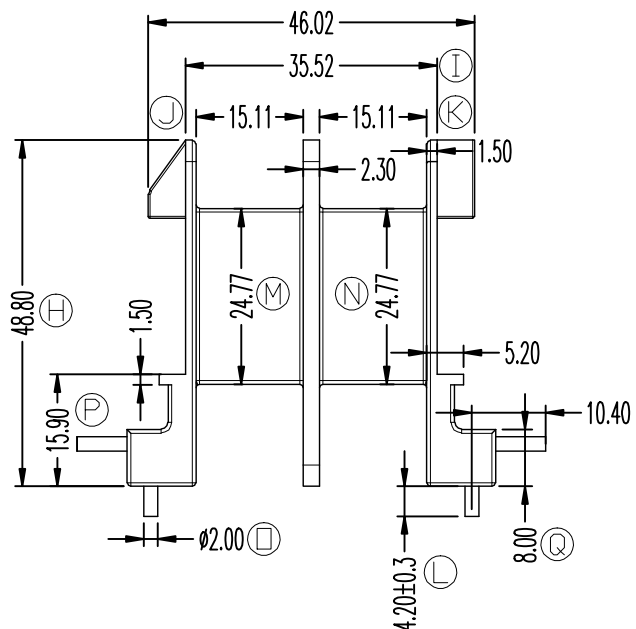
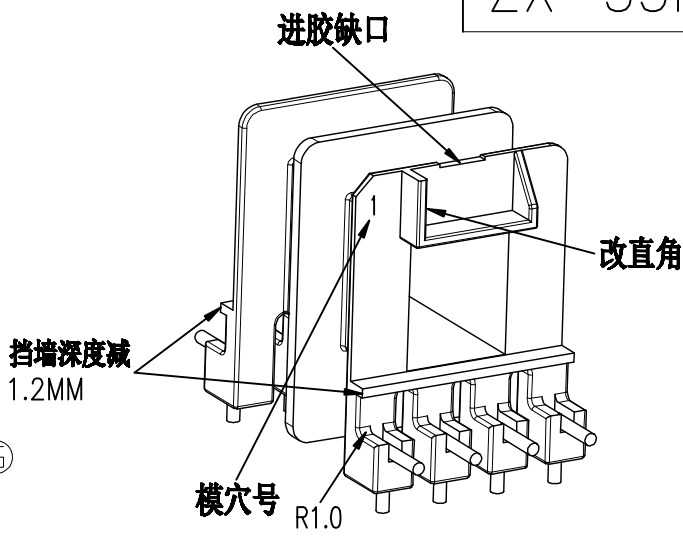
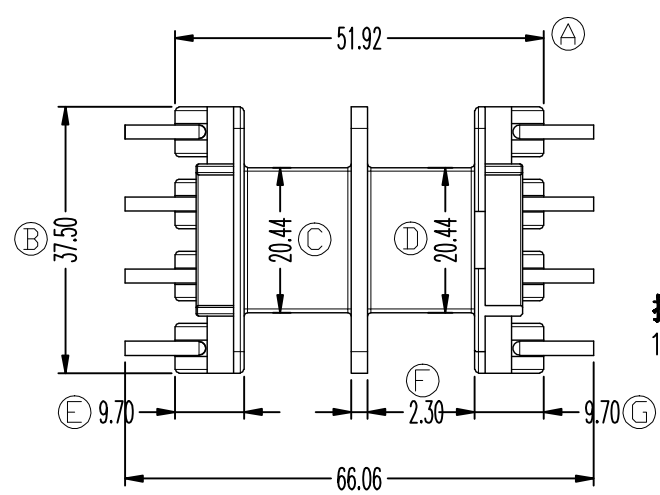


ZX-55F



空 PIN2

REV.	REVISIONS	REC.	DATE	REV.	REVISIONS	REC.	DATE
1	挡墙深度减 1.2MM	尺寸由 6.40 改为 5.20MM	2020.08.04	4			
2				5			
3				6			
DRAWN & DRAFTED BY		LIU WEI QIANG	TOLERANCES		ANGLE:		TITLE:
CHECKED & APPROVED BY		LIN JUN	0 < L ≤ 4 ±0.1 4 < L ≤ 16 ±0.2 16 < L ≤ 63 ±0.3		±1°		EE-55(4+4P)
			pin pitch ±0.2		UNIT:		BOBBIN MATERIAL:
					MM		PM-9820
			SCALE:		PIN MATERIAL:		UL REC. UL 94V-0
					CP WIRE		PIN TENSION LOAD: 1.5KG MIN
ZXE 智信电子塑胶有限公司		ZHI XIN ELECTRONICS PLASTIC CO., LTD.		DATE:		DRAWING NO.	
TEL:0769-86389901-2		FAX:0769-86389903		2020.08.04		ZX-55F	
						REV. A02	