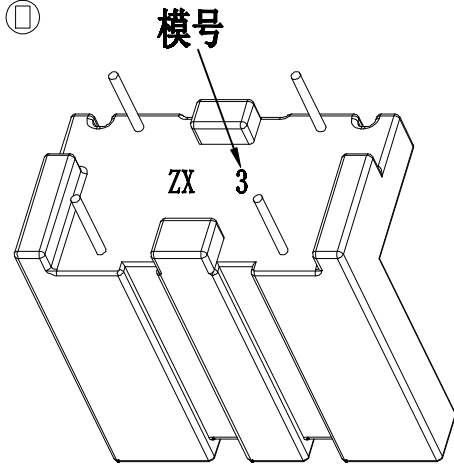
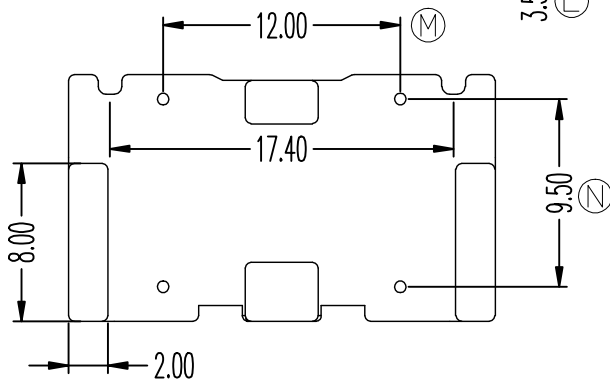
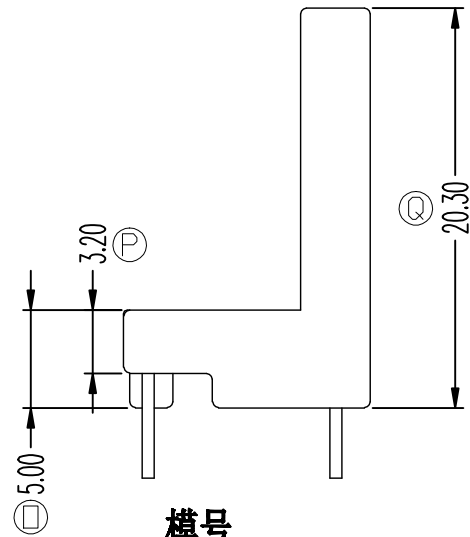
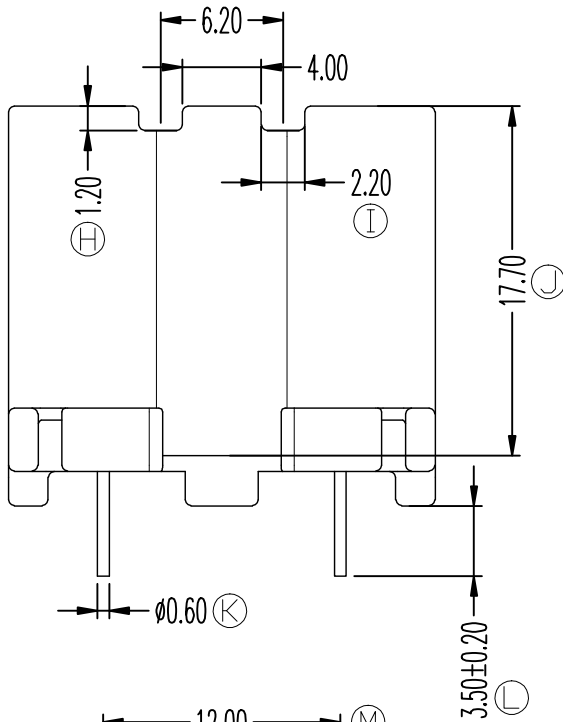
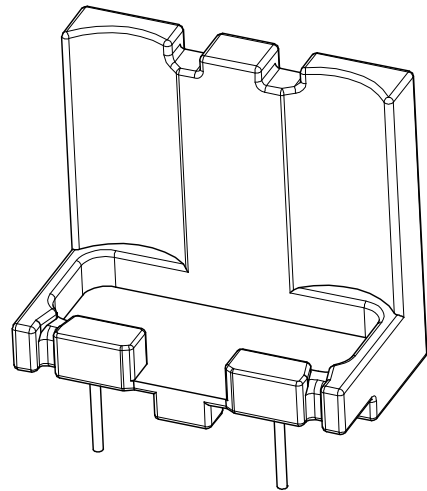
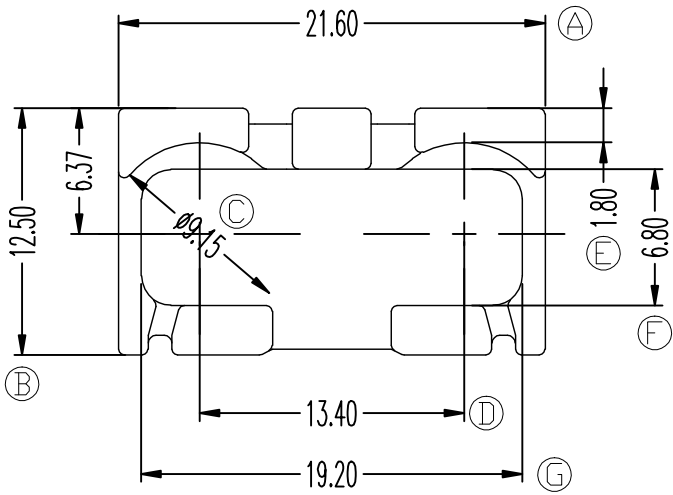


ZX-B125



REV.	REVISIONS	REC.	DATE	REV.	REVISIONS	REC.	DATE
1				4			
2				5			
3				6			
DRAWN & DRAFTED BY	LIU WEI QIANG		TOLERANCES	ANGLE:	TITLE: SQ-BASE(4P)		
CHECKED & APPROVED BY	LIN JUN		0<L≤4 ±0.1	±1°	BOBBIN MATERIAL:	PHENOLIC	UL REC. UL 94V-0
			4<L≤16 ±0.2	UNIT:	MM	PIN MATERIAL:	CP WIRE
			16<L≤63 ±0.3	SCALE:		PIN TENSION LOAD:	0.8KG MIN
智信电子塑胶有限公司 ZHI XIN ELECTRONICS PLASTIC CO., LTD. TEL:0769-86389901-2 FAX:0769-86389903				DATE:	2020.10.31	DRAWING NO.	ZX-B125
				REV.	A01		