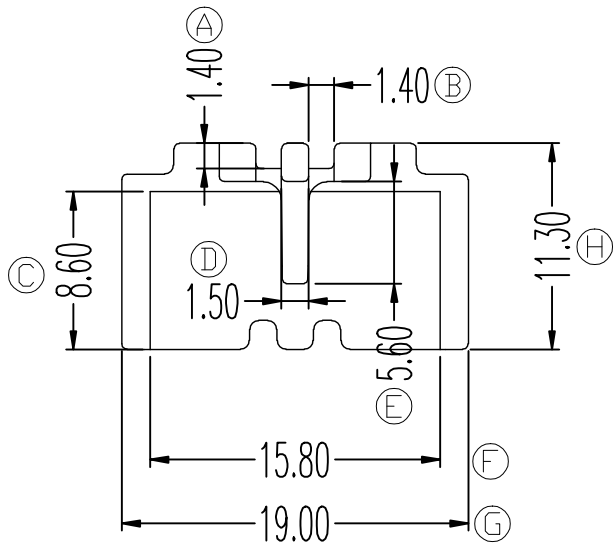
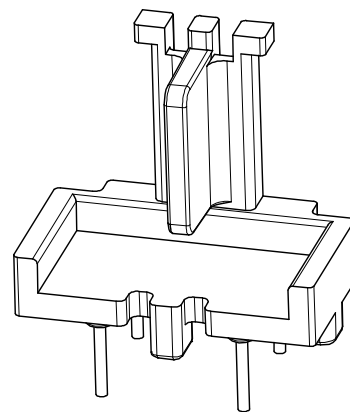
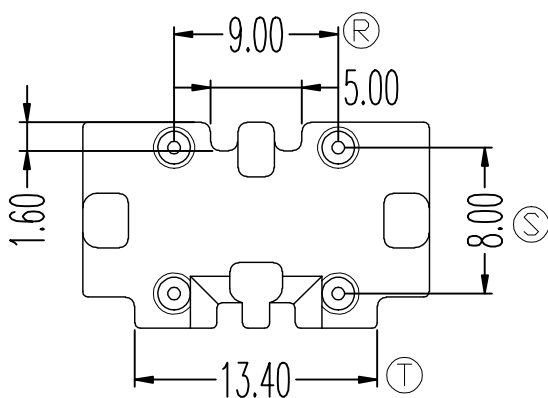
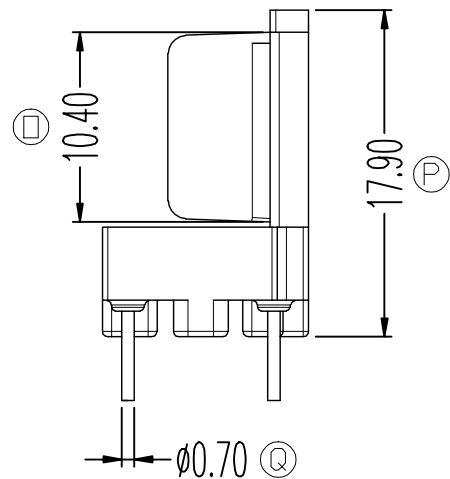
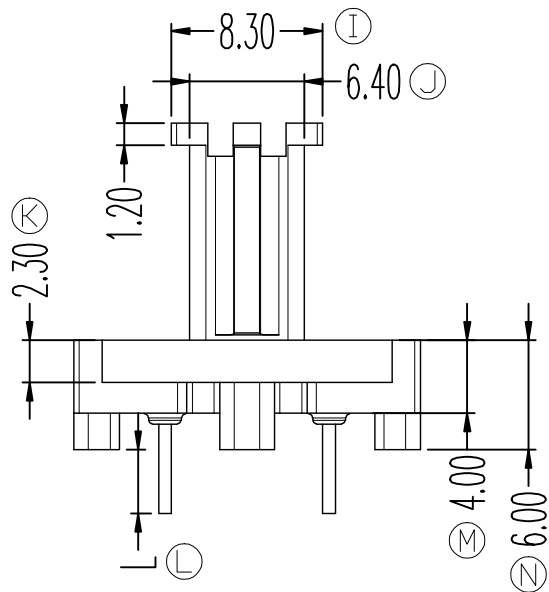
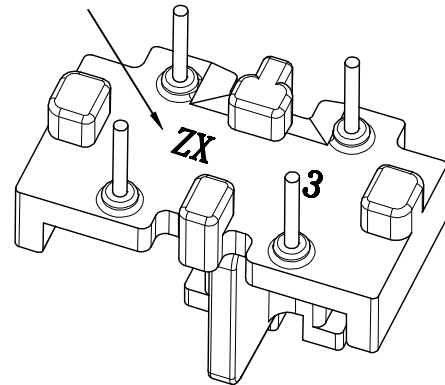


ZX-B126



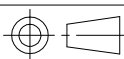
字码 模号



REV.	REVISIONS	REC.	DATE	REV.	REVISIONS	REC.	DATE
1				4			
2				5			
3				6			
DRAWN & DRAFTED BY		LIU WEI QIANG		TOLERANCES		ANGLE:	
CHECKED & APPROVED BY		LIN JUN		0 < L ≤ 4 ±0.1		±1°	
				4 < L ≤ 16 ±0.2		UNIT:	
				16 < L ≤ 63 ±0.3		MM	
				SCALE:		TITLE:	
						SQ-15(2+2P)9X8	
				BOBBIN MATERIAL:		UL REC.	
				PHENOLIC		UL 94V-0	
				PIN MATERIAL:		PIN TENSION LOAD:	
				CP WIRE		1.0KG MIN	
				DATE:		DRAWING NO.	
				2020.11.23		ZX-B126	
						REV.	
						A01	



智信电子塑胶有限公司
ZHI XIN ELECTRONICS PLASTIC CO., LTD.
TEL:0769-86389901-2 FAX:0769-86389903



DATE: 2020.11.23

DRAWING NO. ZX-B126

REV. A01