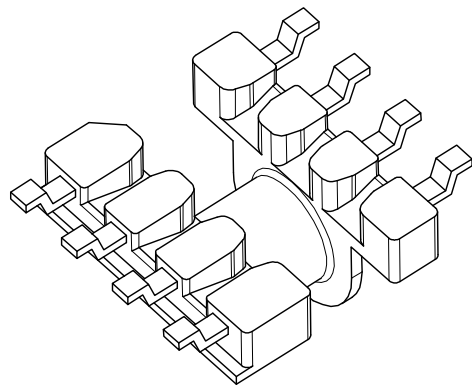
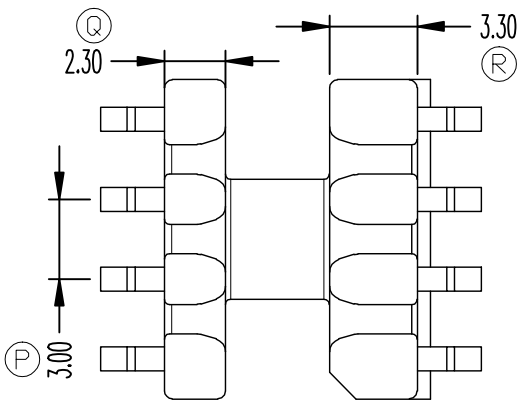
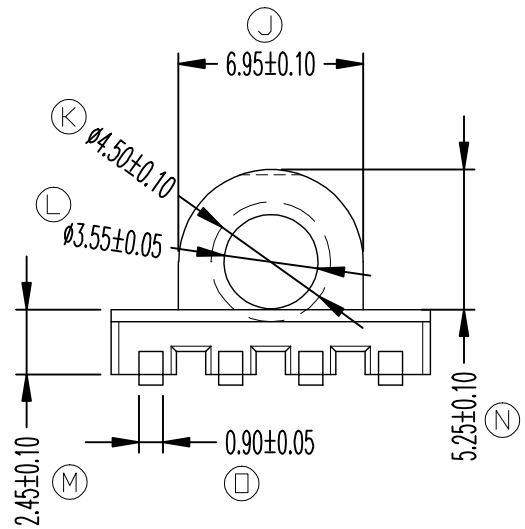
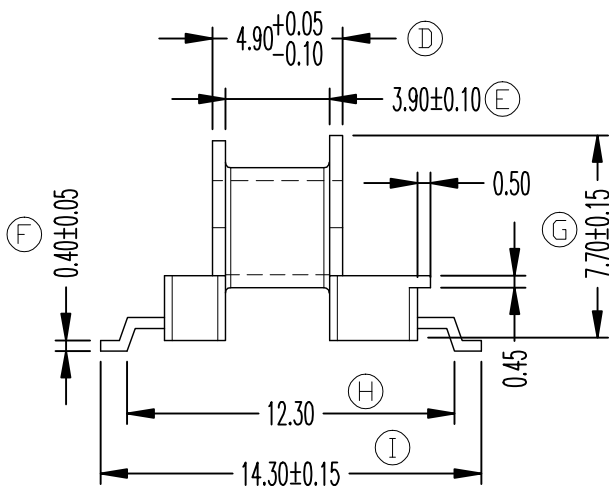
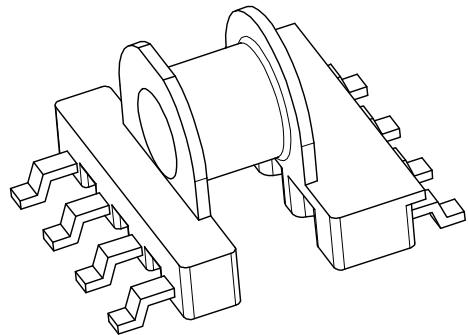
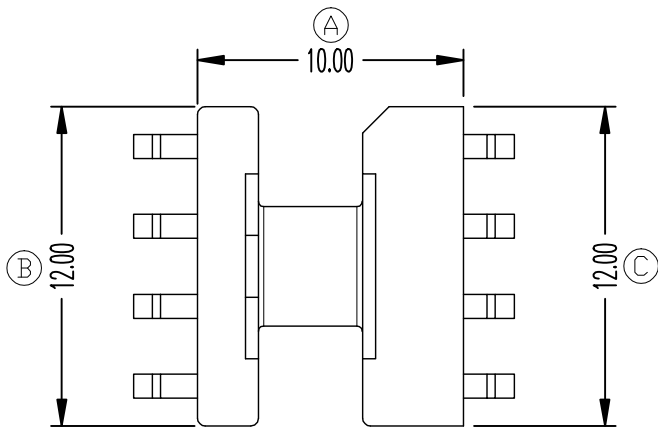


ZXS-7H



REV.	REVISIONS		REC.	DATE	REV.	REVISIONS		REC.	DATE
1					4				
2					5				
3					6				
DRAWN & DRAFTED BY		LIU WEI QIANG		TOLERANCES		ANGLE:		TITLE:	
CHECKED & APPROVED BY		LI JUN		$0 < L \leq 4 \quad \pm 0.1$ $4 < L \leq 16 \quad \pm 0.2$ $16 < L \leq 63 \quad \pm 0.3$		$\pm 1^\circ$ UNIT: MM		BOBBIN MATERIAL: PM-9630(BK) UL REC. UL 94V-0	
		智信电子塑胶有限公司		SCALE:		PIN MATERIAL:		PIN TENSION LOAD:	
		ZHI XIN ELECTRONICS PLASTIC CO., LTD.				C1100		1.5KG MIN	
		TEL:0769-86389901-2 FAX:0769-86389903		DATE: 2020.04.28		DRAWING NO. ZXS-7H		REV. A01	